



## Corrosion Resistant Products

### Stainless Steel Units

- ✓ Pillow Block
- ✓ Tapped Base Bearing
- ✓ 3 Bolts Hanger Bearing
- ✓ Ucfl 2 Bolt
- ✓ Ucf 4 Bolt

### Thermoplastic Housing With Stainless Steel

- ✓ Insert Pillow Bloc
- ✓ Insert Tapped Base
- ✓ Insert 2 Bolt Flange
- ✓ Insert 3 Bolt Hanger Bearing
- ✓ Insert 4 Bolts

## Corrosion Resistant Products

### STAINLESS STEEL UNITS PILLOW BLOCK

Bearing Unit No.	Shaft d		Dimensions mm											Bolt Used		Bearing No.	Housing No.	Housing Wt (kg)
	in	mm	h	a	e	b	s1	s2	g	W	Bi	m	in	mm				
SUCP201-8 SUCP202-10 SUCP204-12 SUCP204	1/2 5/8 3/4	20	33.3	127	95	38	13	19	13	65	31	12.7	3/8	M10	SUC201-8 SUC202-10 SUC204-12 SUC204	SP204	0.69	
SUCP205-14 SUCP205-15 SUCP205-16 SUCP205	7/8 15/16 1	25	36.5	140	105	38	13	19	15	71	34	14.3	3/8	M10	SUC205-14 SUC205-15 SUC205-16 SUC205	SP205	0.84	
SUCP206-17 SUCP206-18 SUCP206-19 SUCP206-20 SUCP206	1-1/16 1-1/8 1-3/16 1-1/4	30	42.9	165	121	48	17	21	17	84	38.1	15.9	1/2	M14	SUC206-17 SUC206-18 SUC206-19 SUC206-20 SUC206	SP206	1.41	
SUCP207-20 SUCP207-21 SUCP207-22 SUCP207-23 SUCP207	1-1/4 1-5/16 1-3/8 1-7/16	35	47.6	167	127	48	17	21	19	93	42.9	17.5	1/2	M14	SUC207-20 SUC207-21 SUC207-22 SUC207-23 SUC207	SP207	1.58	
SUCP208-24 SUCP208	1-1/2	40	49.2	184	137	54	17	21	20	98	49.2	19	1/2	M14	SUC208-24 SUC208	SP208	1.87	
SUCP209-26 SUCP209-27 SUCP209-28 SUCP209	1-5/8 1-11/16 1-3/4	45	54	190	146	54	17	20	20	106	49.2	19	1/2	M14	SUC209-26 SUC209-27 SUC209-28 SUC209	SP209	2.05	
SUCP210-30 SUCP210-31 SUCP210-32 SUCP210	1-7/8 1-15/16 2	50	57.2	206	159	60	20	22	22	114	51.6	19	5/8	M16	SUC210-30 SUC210-31 SUC210-32 SUC210	SSP210	2.64	
SUCP211-34 SUCP211-35 SUCP211	2-1/8 2-3/16	55	63.5	219	171	60	20	22	22	125	55.6	22.2	5/8	M16	SUC211-34 SUC211-35 SUC211	SP211	3.2	
SUCP212-36 SUCP212-38 SUCP212	2-1/4 2-3/8	60	69.8	241	184	70	20	25	25	138	65.1	25.4	5/8	M16	SUC212-36 SUC212-38 SUC212	SP212	3.8	

## Corrosion Resistant Products

### STAINLESS STEEL UNITS TAPPED BASE BEARING

Bearing Unit No.	Shaft d		Dimensions mm										Bolt Used		Bearing No.	Housing No.	Housing Wt (kg)
	in	mm	h	a	e	b	s1	s2	g	W	Bi	m	in	mm			
SUCP201-8 SUCP202-10 SUCP204-12 SUCP204	1/2 5/8 3/4	20	33.3	127	95	38	13	19	13	65	31	12.7	3/8	M10	SUC201-8 SUC202-10 SUC204-12 SUC204	SP204	0.69
SUCP205-14 SUCP205-15 SUCP205-16 SUCP205	7/8 15/16 1	25	36.5	140	105	38	13	19	15	71	34	14.3	3/8	M10	SUC205-14 SUC205-15 SUC205-16 SUC205	SP205	0.84
SUCP206-17 SUCP206-18 SUCP206-19 SUCP206-20 SUCP206	1-1/16 1-1/8 1-3/16 1-1/4	30	42.9	165	121	48	17	21	17	84	38.1	15.9	1/2	M14	SUC206-17 SUC206-18 SUC206-19 SUC206-20 SUC206	SP206	1.41
SUCP207-20 SUCP207-21 SUCP207-22 SUCP207-23 SUCP207	1-1/4 1-5/16 1-3/8 1-7/16	35	47.6	167	127	48	17	21	19	93	42.9	17.5	1/2	M14	SUC207-20 SUC207-21 SUC207-22 SUC207-23 SUC207	SP207	1.58
SUCP208-24 SUCP208	1-1/2	40	49.2	184	137	54	17	21	20	98	49.2	19	1/2	M14	SUC208-24 SUC208	SP208	1.87
SUCP209-26 SUCP209-27 SUCP209-28 SUCP209	1-5/8 1-11/16 1-3/4	45	54	190	146	54	17	20	20	106	49.2	19	1/2	M14	SUC209-26 SUC209-27 SUC209-28 SUC209	SP209	2.05
SUCP210-30 SUCP210-31 SUCP210-32 SUCP210	1-7/8 1-15/16 2	50	57.2	206	159	60	20	22	22	114	51.6	19	5/8	M16	SUC210-30 SUC210-31 SUC210-32 SUC210	SSP210	2.64
SUCP211-34 SUCP211-35 SUCP211	2-1/8 2-3/16	55	63.5	219	171	60	20	22	22	125	55.6	22.2	5/8	M16	SUC211-34 SUC211-35 SUC211	SP211	3.2
SUCP212-36 SUCP212-38 SUCP212	2-1/4 2-3/8	60	69.8	241	184	70	20	25	25	138	65.1	25.4	5/8	M16	SUC212-36 SUC212-38 SUC212	SP212	3.8

## Corrosion Resistant Products

### STAINLESS STEEL UNITS 3 BOLTS HANGER BEARING

Bearing Unit No.	Shaft d		Dimensions mm														Bolt Used		Bearing No.	Housing No.	Housing Wt (kg)
	in	mm	a	e	i	g	l	s	b	h	j	f	c	z	Bi	n	in	mm			
SUCFB201-8 SUCFB202-10 SUCFB204-12 SUCFB204	1/2 5/8 3/4	20	108	38.1	16	8	25.4	10	63	42.9	22.2	60	52	34.3	31	12.7	5/16	M8	SUC201-8 SUC202-10 SUC204-12 SUC204	SFB204	0.4
SUCFB205-14 SUCFB205-15 SUCFB205-16 SUCFB205	7/8 15/16 1	25	121	41.3	17	9.5	29	10	70	46	28.6	64	52	36.8	34.1	14.3	5/16	M8	SUC205-14 SUC205-15 SUC205-16 SUC205	SFB205	0.57
SUCFB206-17 SUCFB206-18 SUCFB206-19 SUCFB206-20 SUCFB206	1-1/16 1-1/8 1-3/16 1-1/4	30	137	47.6	19	9.5	32	10	83	52.4	31.8	70	55	41.2	38.1	15.9	5/16	M8	SUC206-17 SUC206-18 SUC206-19 SUC206-20 SUC206	SFB206	0.75
SUCFB207-20 SUCFB207-21 SUCFB207-22 SUCFB207-23 SUCFB207	1-1/4 1-5/16 1-3/8 1-7/16	35	156	50.8	21	13.5	37	13	95	60.3	31.8	82.5	62	46.4	42.9	17.5	3/8	M10	SUC207-20 SUC207-21 SUC207-22 SUC207-23 SUC207	SFB207	1.15
SUCFB208-24 SUCFB208	1-1/2	40	164	50.8	21	16	34	11	100	60	41	78	72	51.2	49.2	19	3/8	M10	SUC208-24 SUC208	SFB208	1.2
SUCFB209-26 SUCFB209-27 SUCFB209-28 SUCFB209	1-5/8 1-11/16 1-3/4	45	174	54	21	18	34	11	106	65	42.9	80	76	51.2	49.2	19	3/8	M10	SUC209-26 SUC209-27 SUC209-28 SUC209	SFB209	1.2
SUCFB210-30 SUCFB210-31 SUCFB210-32 SUCFB210	1-7/8 1-15/16 2	50	191	69.9	21	13	38	13	118	74.6	41.3	102	82	53.6	51.6	19	7/16	M12	SUC210-30 SUC210-31 SUC210-32 SUC210	SFB210	1.5

## Corrosion Resistant Products

### STAINLESS STEEL UNITS UCFL 2 BOLT

Bearing Unit No.	Shaft d		Dimensions mm										Bolt Used		Bearing No.	Housing No.	Housing Wt (kg)
	in	mm	a	e	i	g	l	s	b	z	Bi	n	in	mm			
SUCFL201-8 SUCFL202-10 SUCFL204-12 SUCFL204	1/2 5/8 3/4	20	113	90	15	11	25.5	10.5	60	33.3	31	12.7	5/16	M8	SUC201-8 SUC202-10 SUC204-12 SUC204	SFL204	0.32
SUCFL205-14 SUCFL205-15 SUCFL205-16 SUCFL205	7/8 15/16 1	25	130	99	16	13	27	12.5	68	35.7	34	14.3	3/8	M10	SUC205-14 SUC205-15 SUC205-16 SUC205	SFL205	0.5
SUCFL206-17 SUCFL206-18 SUCFL206-19 SUCFL206-20 SUCFL206	1-1/16 1-1/8 1-3/16 1-1/4	30	148	117	18	13	31	12.5	80	40.2	38.1	15.9	3/8	M10	SUC206-17 SUC206-18 SUC206-19 SUC206-20 SUC206	SFL206	0.69
SUCFL207-20 SUCFL207-21 SUCFL207-22 SUCFL207-23 SUCFL207	1-1/4 1-5/16 1-3/8 1-7/16	35	161	130	19	16	34	14	90	44.4	42.9	17.5	7/16	M12	SUC207-20 SUC207-21 SUC207-22 SUC207-23 SUC207	SFL207	0.86
SUCFL208-24 SUCFL208	1-1/2	40	175	144	21	16	36	14	100	51.2	49.2	19	7/16	M12	SUC208-24 SUC208	SFL208	1.04
SUCFL209-26 SUCFL209-27 SUCFL209-28 SUCFL209	1-5/8 1-11/16 1-3/4	45	188	148	22	13	38	16	108	52.5	49.2	19	1/2	M14	SUC209-26 SUC209-27 SUC209-28 SUC209	SFL209	1.21
SUCFL210-30 SUCFL210-31 SUCFL210-32 SUCFL210	1-7/8 1-15/16 2	50	197	157	22	13	40	16	115	54.6	51.6	19	1/2	M14	SUC210-30 SUC210-31 SUC210-32 SUC210	SFL210	1.52

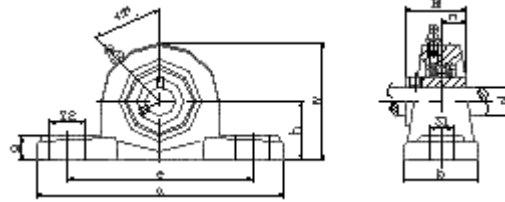
## Corrosion Resistant Products

### STAINLESS STEEL UNITS UCF 4 BOLT

Bearing Unit No.	Shaft d		Dimensions(mm)									Bolt Used		Bearing No.	Housing No.	Housing Wt (kg)
	in	mm	a	e	i	g	l	s	Z	Bi	n	in	mm			
SUCF201-8 SUCF202-10 SUCF204-12 SUCF201 SUCF202 SUCF204	1/2 5/8 3/4	20	86	64	15	11	25.5	12	33.3	31	12.7	3/8	M10	SUC201-8 SUC202-10 SUC204-12 SUC201 SUC202 SUC204	SF204	0.525
SUCF205-14 SUCF205-15 SUCF205-16 SUCF205	7/8 15/16 1	25	95	70	16	13	27	12	35.7	34	14.3	3/8	M10	SUC205-14 SUC205-15 SUC205-16 SUC205	SF205	0.75
SUCF206-17 SUCF206-18 SUCF206-19 SUCF206-20 SUCF206	1-1/16 1-1/8 1-3/16 1-1/4	30	108	83	18	13	31	12	40.2	38.1	15.9	3/8	M10	SUC206-17 SUC206-18 SUC206-19 SUC206-20 SUC206	SF206	0.97
SUCF207-20 SUCF207-21 SUCF207-22 SUCF207-23 SUCF207	1-1/4 1-5/16 1-3/8 1-7/16	35	117	92	19	15	34	14	44.4	42.9	17.5	7/16	M12	SUC207-20 SUC207-21 SUC207-22 SUC207-23 SUC207	SF207	1.23
SUCF208-24 SUCF208	1-1/2	40	130	102	21	15	36	16	51.2	49.2	19	1/2	M14	SUC208-24 SUC208	SF208	1.48
SUCF209-26 SUCF209-27 SUCF209-28 SUCF209	1-5/8 1-11/16 1-3/4	45	137	105	22	16	38	16	52.2	49.2	19	1/2	M14	SUC209-26 SUC209-27 SUC209-28 SUC209	SF209	1.93
SUCF210-30 SUCF210-31 SUCF210-32 SUCF210	1-7/8 1-15/16 2	50	143	111	22	16	40	16	54.6	51.6	19	1/2	M14	SUC210-30 SUC210-31 SUC210-32 SUC210	SF210	

## Corrosion Resistant Products

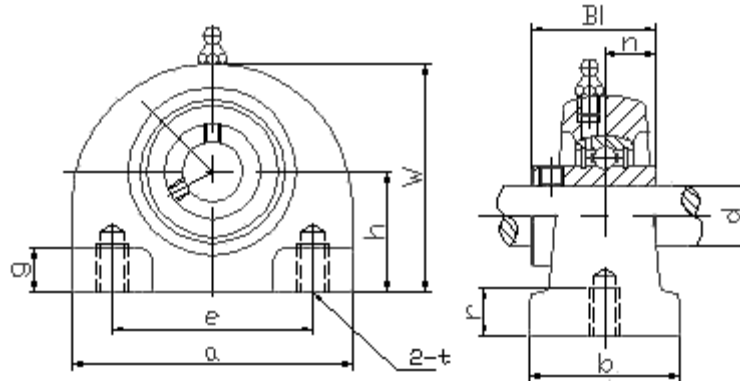
### THERMOPLASTIC HOUSING WITH STAINLESS STEEL INSERT PILLOW BLOCK



Bearing Unit No.	Shaft d		Dimensions mm										Bolt Used		Bearing No.	Housing No.	Housing Wt (kg)
	in	mm	h	a	e	b	s1	s2	g	W	Bi	m	in	mm			
PSUCP201-8 PSUCP202-10 PSUCP204-12 PSUCP204	1/2 5/8 3/4	20	33.3	127	95	38	13	19	13	65	31	12.7	3/8	M10	SUC201-8 SUC202-10 SUC204-12 SUC204	PP204	0.69
PSUCP205-14 PSUCP205-15 PSUCP205-16 PSUCP205	7/8 15/16 1	25	36.5	140	105	38	13	19	15	71	34	14.3	3/8	M10	SUC205-14 SUC205-15 SUC205-16 SUC205	PP205	0.84
PSUCP206-17 PSUCP206-18 PSUCP206-19 PSUCP206-20 PSUCP206	1-1/16 1-1/8 1-3/16 1-1/4	30	42.9	165	121	48	17	21	17	84	38.1	15.9	1/2	M14	SUC206-17 SUC206-18 SUC206-19 SUC206-20 SUC206	PP206	1.41
PSUCP207-20 PSUCP207-21 PSUCP207-22 PSUCP207-23 PSUCP207	1-1/4 1-5/16 1-3/8 1-7/16	35	47.6	167	127	48	17	21	19	93	42.9	17.5	1/2	M14	SUC207-20 SUC207-21 SUC207-22 SUC207-23 SUC207	PP207	1.58
PSUCP208-24 PSUCP208	1-1/2	40	49.2	184	137	54	17	21	20	98	49.2	19	1/2	M14	SUC208-24 SUC208	PP208	1.87
PSUCP209-26 PSUCP209-27 PSUCP209-28 PSUCP209	1-5/8 1-11/16 1-3/4	45	54	190	146	54	17	20	20	106	49.2	19	1/2	M14	SUC209-26 SUC209-27 SUC209-28 SUC209	PP209	2.05
PSUCP210-30 PSUCP210-31 PSUCP210-32 PSUCP210	1-7/8 1-15/16 2	50	57.2	206	159	60	20	22	22	114	51.6	19	5/8	M16	SUC210-30 SUC210-31 SUC210-32 SUC210	PSP210	2.64
PSUCP211-34 PSUCP211-35 PSUCP211	2-1/8 2-3/16	55	63.5	219	171	60	20	22	22	125	55.6	22.2	5/8	M16	SUC211-34 SUC211-35 SUC211	PP211	3.2
PSUCP212-36 PSUCP212-38 PSUCP212	2-1/4 2-3/8	60	69.8	241	184	70	20	25	25	138	65.1	25.4	5/8	M16	SUC212-36 SUC212-38 SUC212	PP212	3.8

## Corrosion Resistant Products

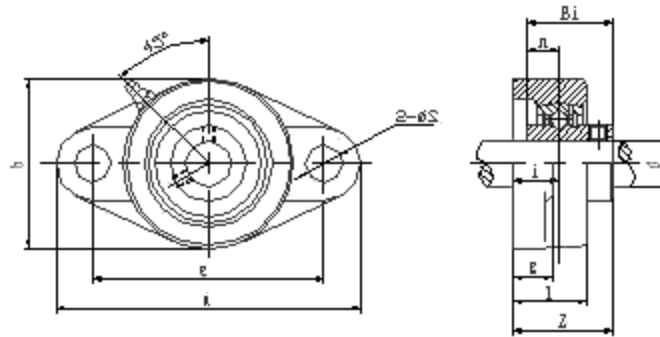
### THERMOPLASTIC HOUSING WITH STAINLESS STEEL INSERT TAPPED BASE



Bearing Unit No.	Shaft Dia d		Dimensions(mm)									Bearing No.	Housing No.	Housing Wt (kg)
	in	mm	h	a	e	w	b	s	r	BI	n			
PSUCPA201-8 PSUCPA202-10 PSUCPA204-12 PSUCPA204	1/2 5/8 3/4	20	33.3	73	50.8	65	38	3/8-16	13	31	12.7	SUC201-8 SUC202-10 SUC204-12 SUC204	PPA204	0.48
PSUCPA205-14 PSUCPA205-15 PSUCPA205-16 PSUCPA205	7/8 15/16 1	25	36.5	76	50.8	71	38	3/8-16	13	34	14.3	SUC205-14 SUC205-15 SUC205-16 SUC205	PPA205	0.6
PSUCPA206-17 PSUCPA206-18 PSUCPA206-19 PSUCPA206-20 PSUCPA206	1-1/16 1-1/8 1-3/16 1-1/4	30	42.9	102	76.2	86	38	7/16-14	16	38.1	15.9	SUC206-17 SUC206-18 SUC206-19 SUC206-20 SUC206	PPA206	1.05
PSUCPA207-20 PSUCPA207-21 PSUCPA207-22 PSUCPA207-23 PSUCPA207	1-1/4 1-5/16 1-3/8 1-7/16	35	47.6	108	82.6	95	48	1/2-13	19	42.9	17.5	SUC207-20 SUC207-21 SUC207-22 SUC207-23 SUC207	PPA207	1.4
PSUCPA208-24 PSUCPA208	1-1/2	40	49.2	117	88.9	100	48	1/2-13	19	49.2	19	SUC208-24 SUC208	PPA208	1.55
PSUCPA209-26 PSUCPA209-27 PSUCPA209-28 PSUCPA209	1-5/8 1-11/16 1-3/4	45	54	127	95.3	108	51	1/2-13	19	51.6	19	SUC209-26 SUC209-27 SUC209-28 SUC209	PPA209	1.82
PSUCPA210-30 PSUCPA210-31 PSUCPA210-32 PSUCPA210	1-7/8 1-15/16 2	50	57.2	140	101.6	117	51	5/8-11	22	55.6	19	SUC210-30 SUC210-31 SUC210-32 SUC210	PPA210	2.3

## Corrosion Resistant Products

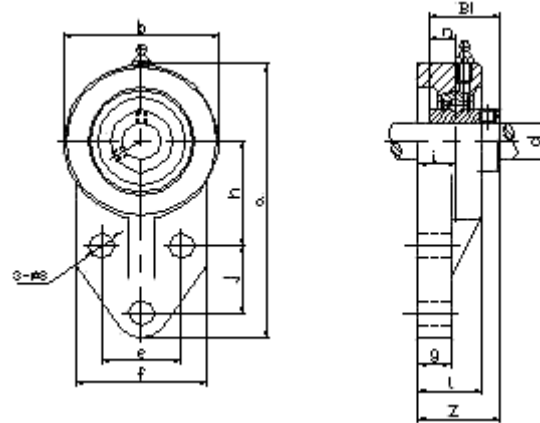
### THERMOPLASTIC HOUSING WITH STAINLESS STEEL INSERT 2 BOLT FLANGE



Bearing Unit No.	Shaft d		Dimensions mm										Bolt Used		Bearing No.	Housing No.	Housing Wt (kg)
	in	mm	a	e	i	g	l	s	b	z	Bi	n	in	mm			
PSUCFL201-8 PSUCFL202-10 PSUCFL204-12 PSUCFL204	1/2 5/8 3/4	20	113	90	15	11	25.5	10.5	60	33.3	31	12.7	5/16	M8	SUC201-8 SUC202-10 SUC204-12 SUC204	PFL204	0.32
PSUCFL205-14 PSUCFL205-15 PSUCFL205-16 PSUCFL205	7/8 15/16 1	25	130	99	16	13	27	12.5	68	35.7	34	14.3	3/8	M10	SUC205-14 SUC205-15 SUC205-16 SUC205	PFL205	0.5
PSUCFL206-17 PSUCFL206-18 PSUCFL206-19 PSUCFL206-20 PSUCFL206	1-1/16 1-1/8 1-3/16 1-1/4	30	148	117	18	13	31	12.5	80	40.2	38.1	15.9	3/8	M10	SUC206-17 SUC206-18 SUC206-19 SUC206-20 SUC206	PFL206	0.69
PSUCFL207-20 PSUCFL207-21 PSUCFL207-22 PSUCFL207-23 PSUCFL207	1-1/4 1-5/16 1-3/8 1-7/16	35	161	130	19	16	34	14	90	44.4	42.9	17.5	7/16	M12	SUC207-20 SUC207-21 SUC207-22 SUC207-23 SUC207	PFL207	0.86
PSUCFL208-24 PSUCFL208	1-1/2	40	175	144	21	16	36	14	100	51.2	49.2	19	7/16	M12	SUC208-24 SUC208	PFL208	1.04
PSUCFL209-26 PSUCFL209-27 PSUCFL209-28 PSUCFL209	1-5/8 1-11/16 1-3/4	45	188	148	22	13	38	16	108	52.5	49.2	19	1/2	M14	SUC209-26 SUC209-27 SUC209-28 SUC209	PFL209	1.21
PSUCFL210-30 PSUCFL210-31 PSUCFL210-32 PSUCFL210	1-7/8 1-15/16 2	50	197	157	22	13	40	16	115	54.6	51.6	19	1/2	M14	SUC210-30 SUC210-31 SUC210-32 SUC210	PFL210	1.52

## Corrosion Resistant Products

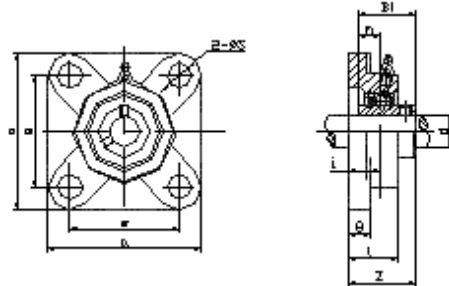
### THERMOPLASTIC HOUSING WITH STAINLESS STEEL INSERT 3 BOLT HANGER BEARING



Bearing Unit No.	Shaft d		Dimensions mm														Bolt Used		Bearing No.	Housing No.	Housing Wt (kg)	
	in	mm	a	e	i	g	l	s	b	h	j	f	c	z	Bi	n	in	mm				
PSUCFB201-8	1/2																			SUC201-8		
PSUCFB202-10	5/8		108	38.1	16	8	25.4	10	63	42.9	22.2	60	52	34.3	31	12.7	5/16	M8	SUC202-10	PFB204	0.4	
PSUCFB204-12	3/4																		SUC204-12			
PSUCFB204		20																	SUC204			
PSUCFB205-14	7/8																		SUC205-14			
PSUCFB205-15	15/16		121	41.3	17	9.5	29	10	70	46	28.6	64	52	36.8	34.1	14.3	5/16	M8	SUC205-15	PFB205	0.57	
PSUCFB205-16	1																		SUC205-16			
PSUCFB205		25																	SUC205			
PSUCFB206-17	1-1/16																		SUC206-17			
PSUCFB206-18	1-1/8																		SUC206-18			
PSUCFB206-19	1-3/16		137	47.6	19	9.5	32	10	83	52.4	31.8	70	55	41.2	38.1	15.9	5/16	M8	SUC206-19	PFB206	0.75	
PSUCFB206-20	1-1/4																		SUC206-20			
PSUCFB206		30																	SUC206			
PSUCFB207-20	1-1/4																		SUC207-20			
PSUCFB207-21	1-5/16																		SUC207-21			
PSUCFB207-22	1-3/8		156	50.8	21	13.5	37	13	95	60.3	31.8	82.5	62	46.4	42.9	17.5	3/8	M10	SUC207-22	PFB207	1.15	
PSUCFB207-23	1-7/16																		SUC207-23			
PSUCFB207		35																	SUC207			
PSUCFB208-24	1-1/2																		SUC208-24			
PSUCFB208		40	164	50.8	21	16	34	11	100	60	41	78	72	51.2	49.2	19	3/8	M10	SUC208	PFB208	1.2	
PSUCFB209-26	1-5/8																		SUC209-26			
PSUCFB209-27	1-11/16																		SUC209-27			
PSUCFB209-28	1-3/4		174	54	21	18	34	11	106	65	42.9	80	76	51.2	49.2	19	3/8	M10	SUC209-28	PFB209	1.2	
PSUCFB209		45																	SUC209			
PSUCFB210-30	1-7/8																		SUC210-30			
PSUCFB210-31	1-15/16																		SUC210-31			
PSUCFB210-32	2		191	69.9	21	13	38	13	118	74.6	41.3	102	82	53.6	51.6	19	7/16	M12	SUC210-32	PFB210	1.5	
PSUCFB210		50																	SUC210			

## Corrosion Resistant Products

### THERMOPLASTIC HOUSING WITH STAINLESS STEEL INSERT 4 BOLTS



Bearing Unit No.	Shaft d		Dimensions(mm)									Bolt Used		* Bearing No.	Housing No.	Housing Wt (kg)
	in	mm	a	e	i	g	l	s	Z	Bi	n	in	mm			
PSUCF201-8 PSUCF202-10 PSUCF204-12 PSUCF201 PSUCF202 PSUCF204	1/2 5/8 3/4	20	86	64	15	11	25.5	12	33.3	31	12.7	3/8	M10	SUC201-8 SUC202-10 SUC204-12 SUC201 SUC202 SUC204	PF204	0.525
PSUCF205-14 PSUCF205-15 PSUCF205-16 PSUCF205	7/8 15/16 1	25	95	70	16	13	27	12	35.7	34	14.3	3/8	M10	SUC205-14 SUC205-15 SUC205-16 SUC205	PF205	0.75
PSUCF206-17 PSUCF206-18 PSUCF206-19 PSUCF206-20 PSUCF206	1-1/16 1-1/8 1-3/16 1-1/4	30	108	83	18	13	31	12	40.2	38.1	15.9	3/8	M10	SUC206-17 SUC206-18 SUC206-19 SUC206-20 SUC206	PF206	0.97
PSUCF207-20 PSUCF207-21 PSUCF207-22 PSUCF207-23 PSUCF207	1-1/4 1-5/16 1-3/8 1-7/16	35	117	92	19	15	34	14	44.4	42.9	17.5	7/16	M12	SUC207-20 SUC207-21 SUC207-22 SUC207-23 SUC207	PF207	1.23
PSUCF208-24 PSUCF208	1-1/2	40	130	102	21	15	36	16	51.2	49.2	19	1/2	M14	SUC208-24 SUC208	PF208	1.48
PSUCF209-26 PSUCF209-27 PSUCF209-28 PSUCF209	1-5/8 1-11/16 1-3/4	45	137	105	22	16	38	16	52.2	49.2	19	1/2	M14	SUC209-26 SUC209-27 SUC209-28 SUC209	PF209	1.93
PSUCF210-30 PSUCF210-31 PSUCF210-32 PSUCF210	1-7/8 1-15/16 2	50	143	111	22	16	40	16	54.6	51.6	19	1/2	M14	SUC210-30 SUC210-31 SUC210-32 SUC210	PF210	