



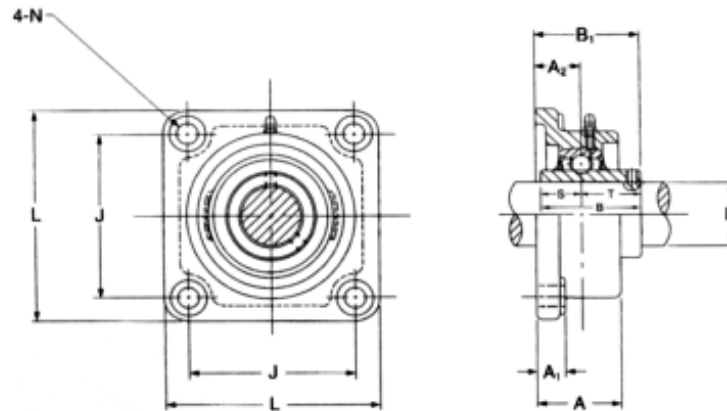
## Mounted Units and Insert Bearing

- P.1
- P.2
- P.3
- P.4
- P.5
- P.6
- P.7

## Mounted Units and Insert Bearing

### P.1

### RAM 4-BOLT FLANGE BEARINGS SET SCREW

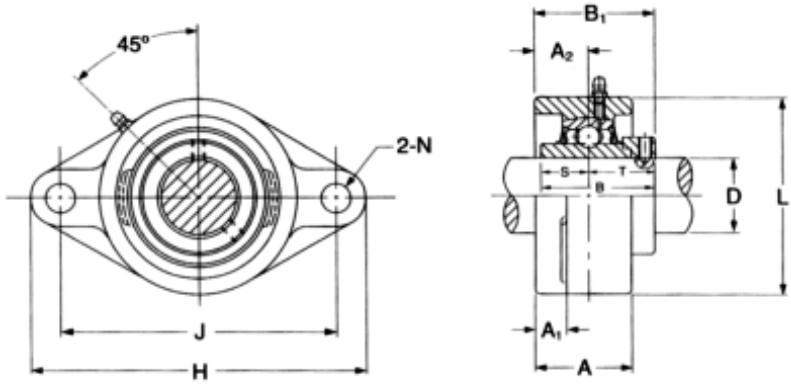


Ram No.	Shaft Dia.		Dimensions										Bolt Size		Wt. (lbs)
	D		L	J	N	A	A <sub>1</sub>	A <sub>2</sub>	B <sub>1</sub>	B	S	T	(in)	(mm)	
	(in)	(mm)													
UCF-201-08	1/2	12.70	3 3/8	2 33/64	15/32	1	7/16	19/32	1 19/64	1.0787	0.4528	0.6259	3/8	10	1.3
UCF-202-10	5/8	15.00	3 3/8	2 33/64	15/32	1	7/16	19/32	1 19/64	1.0787	0.4528	0.6259	3/8	10	1.2
UCF-204-12	3/4	19.05	3 3/8	2 33/64	15/32	1	7/16	19/32	1 5/16	1.2205	0.5000	0.7205	3/8	10	1.3
UCF-205-14	7/8	22.22	3 11/16	2 3/4	15/32	1 1/16	1/2	5/8	1 13/32	1.3386	0.5630	0.7756	3/8	10	1.8
UCF-205-16	1	25.40	3 11/16	2 3/4	15/32	1 1/16	1/2	5/8	1 13/32	1.3386	0.5630	0.7756	3/8	10	1.8
UCF-206-18	1 1/8	28.57	4 3/16	3 9/32	15/32	1 7/32	1/2	45/64	1 19/32	1.5000	0.6260	0.8740	3/8	10	2.4
UCF-206-19	1 3/16	30.16	4 3/16	3 9/32	15/32	1 7/32	1/2	45/64	1 19/32	1.5000	0.6260	0.8740	3/8	10	2.4
UCF-206-20	1 1/4	31.75	4 3/16	3 9/32	15/32	1 7/32	1/2	45/64	1 19/32	1.5000	0.6260	0.8740	3/8	10	2.4
UCF-207-20	1 1/4	31.75	4 9/16	3 5/8	35/64	1 11/32	19/32	3/4	1 3/4	1.6890	0.6890	1.0000	7/16	12	3.1
UCF-207-22	1 3/8	34.92	4 9/16	3 5/8	35/64	1 11/32	19/32	3/4	1 3/4	1.6890	0.6890	1.0000	7/16	12	3.1
UCF-207-23	1 7/16	36.51	4 9/16	3 5/8	35/64	1 11/32	19/32	3/4	1 3/4	1.6890	0.6890	1.0000	7/16	12	3.1
UCF-208-24	1 1/2	38.10	5 1/16	4 1/64	35/64	1 13/32	19/32	53/64	2 1/64	1.9370	0.7480	1.1890	7/16	12	4.0
UCF-209-27	1 11/16	42.86	5 5/16	4 9/64	5/8	1 1/2	5/8	7/8	2 1/16	1.9370	0.7480	1.1890	1/2	14	4.9
UCF-209-28	1 3/4	44.45	5 5/16	4 9/64	5/8	1 1/2	5/8	7/8	2 1/16	1.9370	0.7480	1.1890	1/2	14	4.9
UCF-210-31	1 15/16	49.21	5 5/8	4 3/8	11/16	1 9/16	5/8	7/8	2 5/32	2.0315	0.7480	1.2835	5/8	16	5.3
UCF-210-32	2	50.80	5 5/8	4 3/8	11/16	1 9/16	5/8	7/8	2 5/32	2.0315	0.7480	1.2835	5/8	16	5.3
UCF-211-32	2	50.80	6 3/8	5 1/8	11/16	1 11/16	23/32	63/64	2 5/16	2.1890	0.8740	1.3150	5/8	16	7.7
UCF-211-35	2 3/16	55.56	6 3/8	5 1/8	11/16	1 11/16	23/32	63/64	2 5/16	2.1890	0.8740	1.3150	5/8	16	7.7
UCF-212-39	2 7/16	61.91	6 7/8	5 5/8	11/16	1 7/8	23/32	1 9/64	2 45/64	2.5630	1.0000	1.5630	5/8	16	9.3
UCF-215-47	2 15/16	74.61	7 7/8	6 1/4	11/16	2 7/32	7/8	1 11/32	3 3/32	3.0630	1.3110	1.7520	5/8	16	13.9
UCF-215-48	3	75.00	7 7/8	6 1/4	11/16	2 7/32	7/8	1 11/32	3 3/32	3.0630	1.3110	1.7520	5/8	16	13.9

## Mounted Units and Insert Bearing

### P.2

#### RAM 2-BOLT FLANGE BEARINGS SET SCREW

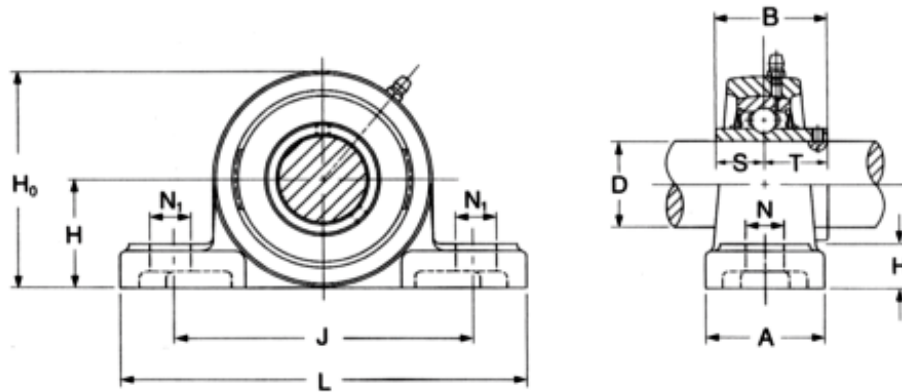


Ram No.	Shaft Dia.		Dimensions											Bolt Size		Wt. (lbs)
	D		H	J	N	A	A <sub>1</sub>	A <sub>2</sub>	B <sub>1</sub>	L	B	S	T	(in)	(mm)	
	(in)	(mm)														
UCFL-201-08	1/2	12.70	4 7/16	3 17/32	15/32	1	7/16	19/32	1 19/64	2 3/8	1.0787	0.4528	0.6259	3/8	10	1.3
UCFL-202-10	5/8	15.00	4 7/16	3 17/32	15/32	1	7/16	19/32	1 19/64	2 3/8	1.0787	0.4528	0.6259	3/8	10	1.2
UCFL-204-12	3/4	19.05	4 7/16	3 17/32	15/32	1	7/16	19/32	1 5/16	2 3/8	1.2205	0.5000	0.7205	3/8	10	1.3
UCFL-205-14	7/8	22.22	4 27/32	3 57/64	15/32	1 1/16	1/2	5/8	1 13/32	2 11/16	1.3386	0.5630	0.7756	3/8	10	1.3
UCFL-205-16	1	25.40	4 27/32	3 57/64	15/32	1 1/16	1/2	5/8	1 13/32	2 11/16	1.3386	0.5630	0.7756	3/8	10	1.3
UCFL-206-18	1 1/8	28.57	5 19/32	4 19/32	15/32	1 7/32	1/2	45/64	1 19/32	3 5/32	1.5000	0.6260	0.8740	3/8	10	2.0
UCFL-206-19	1 3/16	30.16	5 19/32	4 19/32	15/32	1 7/32	1/2	45/64	1 19/32	3 5/32	1.5000	0.6260	0.8740	3/8	10	2.0
UCFL-206-20	1 1/4	31.75	5 19/32	4 19/32	15/32	1 7/32	1/2	45/64	1 19/32	3 5/32	1.5000	0.6260	0.8740	3/8	10	2.0
UCFL-207-20	1 1/4	31.75	6 7/32	5 1/8	35/64	1 11/32	19/16	3/4	1 3/4	3 9/16	1.6890	0.6890	1.0000	7/16	12	2.7
UCFL-207-22	1 3/8	34.92	6 7/32	5 1/8	35/64	1 11/32	19/16	3/4	1 3/4	3 9/16	1.6890	0.6890	1.0000	7/16	12	2.7
UCFL-207-23	1 7/16	36.51	6 7/32	5 1/8	35/64	1 11/32	19/16	3/4	1 3/4	3 9/16	1.6890	0.6890	1.0000	7/16	12	2.7
UCFL-208-24	1 1/2	38.10	6 25/32	5 21/32	35/64	1 13/32	19/16	53/64	2 1/64	3 15/16	1.9370	0.7480	1.1890	7/16	12	3.3
UCFL-209-27	1 11/16	42.86	7 3/32	5 27/32	5/8	1 1/2	5/8	7/8	2 1/16	4 1/4	1.9370	0.7480	1.1890	1/2	14	4.2
UCFL-209-28	1 3/4	44.45	7 3/32	5 27/32	5/8	1 1/2	5/8	7/8	2 1/16	4 1/4	1.9370	0.7480	1.1890	1/2	14	4.2
UCFL-210-31	1 15/16	49.21	7 1/2	6 3/16	11/16	1 9/16	5/8	7/8	2 5/32	4 17/32	2.0315	0.7480	1.2835	5/8	16	4.9
UCFL-210-32	2	50.80	7 1/2	6 3/16	11/16	1 11/16	5/8	7/8	2 5/32	4 17/32	2.0315	0.7480	1.2835	5/8	16	4.9
UCFL-211-32	2	50.80	8 1/2	7 1/4	11/16	1 11/16	23/32	63/64	2 5/16	5 5/32	2.1890	0.8740	1.3150	5/8	16	6.8
UCFL-211-35	2 3/16	55.56	8 1/2	7 1/4	11/16	1 11/16	23/32	63/64	2 5/16	5 5/32	2.1890	0.8740	1.3150	5/8	16	6.8
UCFL-212-39	2 7/16	61.91	9 11/32	7 15/16	11/16	1 7/8	23/32	1 9/64	2 45/64	5 1/2	2.5630	1.0000	1.5630	5/8	16	8.8
UCFL-215-47	2 15/16	74.61	10 13/16	8 55/64	29/32	2 11/64	7/8	1 11/32	3 3/32	6 15/32	3.0630	1.3110	1.7520	3/4	20	13.7
UCFL-215-48	3	75.00	10 13/16	8 55/64	29/32	2 11/64	7/8	1 11/32	3 3/32	6 15/32	3.0630	1.3110	1.7520	3/4	20	13.7

## Mounted Units and Insert Bearing

### P.3

#### RAM PILLOW BLOCK BEARINGS SET SCREW

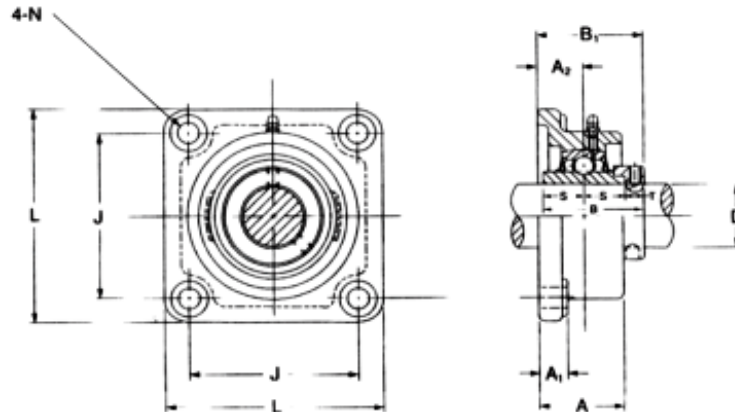


Ram No.	Shaft Dia.		Dimensions											Bolt Size		Wt. (lbs)
	D		H	H <sub>0</sub>	L	J	N <sub>i</sub>	A	H <sub>1</sub>	N	B	S	T	(in)	(mm)	
	(in)	(mm)														
UCP-201-08	1/2	12.70	1 5/16	2 1/2	5	3 3/4	5/8	1 1/2	9/16	1/2	1.0787	0.4528	0.6259	3/8	10	1.3
UCP-202-10	5/8	15.00	1 5/16	2 1/2	5	3 3/4	5/8	1 1/2	9/16	1/2	1.0787	0.4528	0.6259	3/8	10	1.2
UCP-204-12	3/4	19.05	1 5/16	2 1/2	5	3 3/4	5/8	1 1/2	9/16	1/2	1.2205	0.5000	0.7205	3/8	10	1.4
UCP-205-14	7/8	22.22	1 7/16	2 3/4	5 1/2	4 1/8	3/4	1 1/2	9/16	1/2	1.3386	0.5630	0.7756	3/8	10	1.6
UCP-205-16	1	25.40	1 7/16	2 3/4	5 1/2	4 1/8	3/4	1 1/2	9/16	1/2	1.3386	0.5630	0.7756	3/8	10	1.6
UCP-206-18	1 1/8	28.57	1 11/16	3 5/16	6 5/16	4 3/4	3/4	1 3/4	5/8	9/16	1.5000	0.6260	0.8740	1/2	12	2.5
UCP-206-19	1 3/16	30.16	1 11/16	3 5/16	6 5/16	4 3/4	3/4	1 3/4	5/8	9/16	1.5000	0.6260	0.8740	1/2	12	2.5
UCP-206-20	1 1/4	31.75	1 11/16	3 5/16	6 5/16	4 3/4	3/4	1 3/4	5/8	9/16	1.5000	0.6260	0.8740	1/2	12	2.5
UCP-207-20	1 1/4	31.75	1 7/8	3 5/8	6 9/16	5	3/4	1 7/8	11/16	9/16	1.6890	0.6890	1.0000	1/2	12	3.4
UCP-207-22	1 3/8	34.92	1 7/8	3 5/8	6 9/16	5	3/4	1 7/8	11/16	9/16	1.6890	0.6890	1.0000	1/2	12	3.4
UCP-207-23	1 7/16	36.51	1 7/8	3 5/8	6 9/16	5	3/4	1 7/8	11/16	9/16	1.6890	0.6890	1.0000	1/2	12	3.4
UCP-208-24	1 1/2	38.10	1 15/16	3 27/32	7 3/32	5 11/32	13/16	2 1/8	11/16	9/16	1.9370	0.7480	1.1890	1/2	12	4.2
UCP-209-27	1 11/16	42.86	2 1/8	4 3/16	7 7/16	5 3/4	13/16	2 1/8	13/16	9/16	1.9370	0.7480	1.1890	1/2	12	4.6
UCP-209-28	1 3/4	44.45	2 1/8	4 3/16	7 7/16	5 3/4	13/16	2 1/8	13/16	9/16	1.9370	0.7480	1.1890	1/2	12	4.6
UCP-210-31	1 15/16	49.21	2 1/4	4 7/16	8 1/32	6 1/4	7/8	2 3/8	13/16	3/4	2.0315	0.7480	1.2835	5/8	16	5.5
UCP-210-32	2	50.80	2 1/4	4 7/16	8 1/32	6 1/4	7/8	2 3/8	13/16	3/4	2.0315	0.7480	1.2835	5/8	16	5.5
UCP-211-32	2	50.80	2 1/2	4 29/32	8 5/8	6 25/32	7/8	2 3/8	7/8	3/4	2.1890	0.8740	1.3150	5/8	16	7.3
UCP-211-35	2 3/16	55.56	2 1/2	4 29/32	8 5/8	6 25/32	7/8	2 3/8	7/8	3/4	2.1890	0.8740	1.3150	5/8	16	8.3
UCP-212-39	2 7/16	61.91	2 3/4	5 7/16	9 3/8	7 5/16	1	2 9/16	15/16	3/4	2.5630	1.0000	1.5630	5/8	16	12.1
UCP-215-47	2 15/16	74.61	3 1/4	6 3/8	10 13/16	8 17/32	1 5/32	2 29/32	1 1/8	1	3.0630	1.3110	1.7520	3/4	20	16.1
UCP-215-48	3	75.00	3 1/4	6 3/8	10 13/16	8 17/32	1 5/32	2 29/32	1 1/8	1	3.0630	1.3110	1.7520	3/4	20	16.1

## Mounted Units and Insert Bearing

### P.4

## RAM 4-BOLT FLANGE BEARINGS ECCENTRIC LOCK

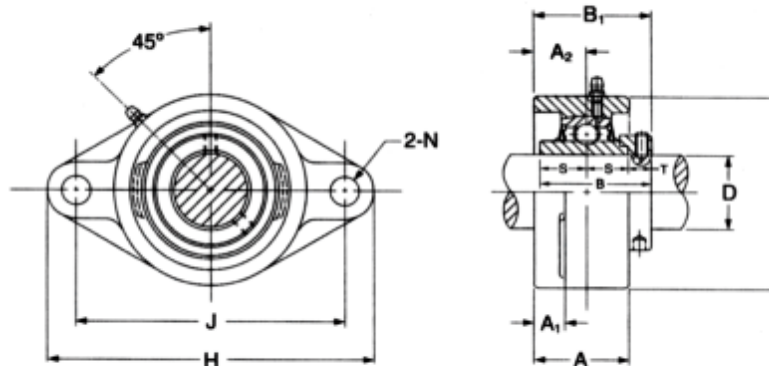


Ram No.	Shaft Dia.		Dimensions										Bolt Size		Wt. (lbs)
	D		L	J	N	A	A <sub>1</sub>	A <sub>2</sub>	B <sub>1</sub>	B	S	T	(in)	(mm)	
	(in)	(mm)													
HCFU-201-08	1/2	12.70	3 3/8	2 1/2	15/32	1 5/32	19/32	3/4	1 25/32	1.0787	0.4528	0.6259	3/8	10	1.4
HCFU-202-10	5/8	15.00	3 3/8	2 1/2	15/32	1 5/32	19/32	3/4	1 25/32	1.0787	0.4528	0.6259	3/8	10	1.3
HCFU-204-12	3/4	19.05	3 3/8	2 1/2	15/32	1 5/32	19/32	3/4	1 25/32	1.7126	0.6893	0.3740	3/8	10	1.7
HCFU-205-14	7/8	22.22	3 11/16	2 3/4	15/32	1 3/16	19/32	3/4	1 13/16	1.7441	0.6850	0.3741	3/8	10	2.1
HCFU-205-16	1	25.40	3 11/16	2 3/4	15/32	1 3/16	19/32	3/4	1 13/16	1.7441	0.6850	0.3740	3/8	10	2.1
HCFU-206-18	1 1/8	28.57	4 3/16	3 1/4	15/32	1 9/32	5/8	15/32	1 25/32	1.9016	0.7165	0.4685	3/8	10	2.9
HCFU-206-19	1 3/16	30.16	4 3/16	3 1/4	15/32	1 9/32	5/8	15/32	1 25/32	1.9016	0.7165	0.4685	3/8	10	2.9
HCFU-206-20	1 1/4	31.75	4 3/16	3 1/4	15/32	1 9/32	5/8	15/32	1 25/32	1.9016	0.7165	0.4685	3/8	10	2.9
HCFU-207-20	1 1/4	31.75	4 9/16	3 5/8	35/64	1 3/8	21/32	53/64	2 3/32	2.0118	0.7402	0.5315	7/16	12	3.9
HCFU-207-22	1 3/8	34.92	4 9/16	3 5/8	35/64	1 3/8	21/32	53/64	2 3/32	2.0118	0.7402	0.5315	7/16	12	3.9
HCFU-207-23	1 7/16	36.51	4 9/16	3 5/8	35/64	1 3/8	21/32	53/64	2 3/32	2.0118	0.7402	0.5315	7/16	12	3.9
HCFU-208-24	1 1/2	38.10	5 1/16	4	35/64	1 17/32	21/32	15/16	2 5/16	2.2165	0.8425	0.5315	7/16	12	4.9
HCFU-209-27	1 11/16	42.86	5 5/16	4 9/16	5/8	1 37/64	23/32	15/16	2 5/16	2.2165	0.8425	0.5315	1/2	14	5.8
HCFU-209-28	1 3/4	44.45	5 5/16	4 9/16	5/8	1 37/64	23/32	15/16	2 5/16	2.2165	0.8425	0.5315	1/2	14	5.8
HCFU-210-31	1 15/16	49.21	5 5/8	4 3/8	11/16	1 25/32	25/32	1 7/64	2 19/32	2.4685	0.9685	0.5315	5/8	16	6.5
HCFU-210-32	2	50.80	5 5/8	4 3/8	11/16	1 25/32	25/32	1 7/64	2 19/32	2.4685	0.9685	0.5315	5/8	16	6.5
HCFU-211-32	2	50.80	6 3/8	5 1/8	11/16	1 15/16	13/16	1 7/32	2 15/16	2.8110	1.0906	0.6299	5/8	16	9.0
HCFU-211-35	2 3/16	55.56	6 3/8	5 1/8	11/16	1 15/16	13/16	1 7/32	2 15/16	2.8110	1.0906	0.6299	5/8	16	9.0
HCFU-212-39	2 7/16	61.91	6 7/8	5 5/8	11/16	2 1/8	7/8	1 11/32	3 3/16	3.0630	1.2165	0.6299	5/8	16	10.7
HCFU-215-47	2 15/16	74.61	7 7/8	6 1/4	11/16	2 7/16	15/16	1 39/64	3 49/64	3.6260	1.4685	0.6890	5/8	16	16.6
HCFU-215-48	3	75.00	7 7/8	6 1/4	11/16	2 7/16	15/16	1 39/64	3 49/64	3.6260	1.4685	0.6890	5/8	16	16.6

## Mounted Units and Insert Bearing

### P.5

### RAM 2-BOLT FLANGE BEARINGS ECCENTRIC LOCK

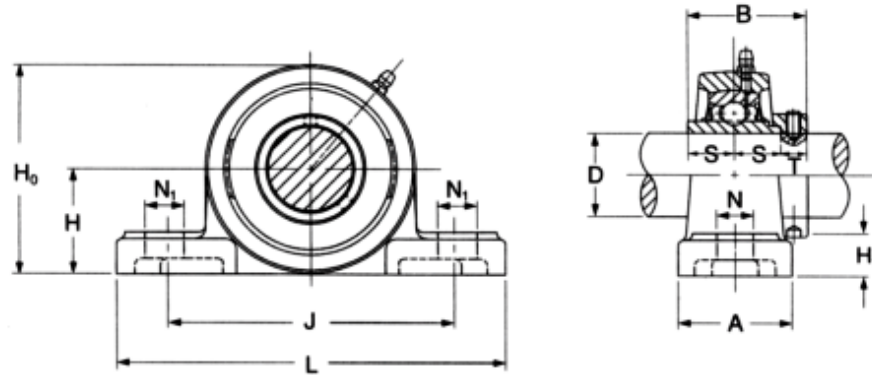


Ram No.	Shaft Dia.		Dimensions											Bolt Size		Wt. (lbs)
	D		H	J	N	A	A <sub>1</sub>	A <sub>2</sub>	B <sub>1</sub>	L	B	S	T	(in)	(mm)	
	(in)	(mm)														
HCFLU-201-08	1/2	12.70	4 7/16	3 17/32	15/32	1 5/32	19/32	3/4	1 25/32	2 13/32	1.0787	0.4528	0.6259	3/8	10	1.4
HCFLU-202-10	5/8	15.00	4 7/16	3 17/32	15/32	1 5/32	19/32	3/4	1 25/32	2 13/32	1.0787	0.4528	0.6259	3/8	10	1.3
HCFLU-204-12	3/4	19.05	4 7/16	3 17/32	15/32	1 5/32	19/32	3/4	1 25/32	2 13/32	1.7126	0.6693	0.3740	3/8	10	1.5
HCFLU-205-14	7/8	22.22	4 27/32	3 57/64	15/32	1 3/16	19/32	3/4	1 13/16	2 3/4	1.7441	0.6850	0.3741	3/8	10	1.8
HCFLU-205-16	1	25.40	4 27/32	3 57/64	15/32	1 3/16	19/32	3/4	1 13/16	2 3/4	1.7441	0.6850	0.3740	3/8	10	1.8
HCFLU-206-18	1 1/8	28.57	5 19/32	4 19/32	15/32	1 9/32	19/32	25/32	1 31/32	3 7/32	1.9016	0.7165	0.4685	3/8	10	2.6
HCFLU-206-19	1 3/16	30.16	5 19/32	4 19/32	15/32	1 9/32	5/8	25/32	1 31/32	3 7/32	1.9016	0.7165	0.4685	3/8	10	2.6
HCFLU-206-20	1 1/4	31.75	5 19/32	4 19/32	15/32	1 9/32	5/8	25/32	1 31/32	3 7/32	1.9016	0.7165	0.4685	3/8	10	2.6
HCFLU-207-20	1 1/4	31.75	6 7/32	5 1/8	35/64	1 27/64	21/32	53/64	2 3/32	3 23/32	2.0118	0.7402	0.5315	7/16	12	3.5
HCFLU-207-22	1 3/8	34.92	6 7/32	5 1/8	35/64	1 27/64	21/32	53/64	2 3/32	3 23/32	2.0118	0.7402	0.5315	7/16	12	3.5
HCFLU-207-23	1 7/16	36.51	6 7/32	5 1/8	35/64	1 27/64	21/32	53/64	2 3/32	3 23/32	2.0118	0.7402	0.5315	7/16	12	3.5
HCFLU-208-24	1 1/2	38.10	6 25/32	5 21/32	35/64	1 17/32	21/32	15/16	2 5/16	4 1/16	2.2165	0.8425	0.5315	7/16	12	4.2
HCFLU-209-27	1 11/16	42.86	7 3/32	5 27/32	5/8	1 37/64	23/32	15/16	2 5/16	4 1/4	2.2165	0.8425	0.5315	1/2	14	5.1
HCFLU-209-28	1 3/4	44.45	7 3/32	5 27/32	5/8	1 37/64	23/32	15/16	2 5/16	4 1/4	2.2165	0.8425	0.5315	1/2	14	5.1
HCFLU-210-31	1 15/16	49.21	7 1/2	6 3/16	11/16	1 25/32	25/32	1 7/64	2 19/32	4 1/2	2.4685	0.9685	0.5315	1/2	16	5.7
HCFLU-210-32	2	50.80	7 1/2	6 3/16	11/16	1 25/32	25/32	1 7/64	2 19/32	4 1/2	2.4685	0.9685	0.5315	1/2	16	5.7
HCFLU-211-32	2	50.80	8 1/2	7 1/4	11/16	1 57/64	13/16	1 7/32	2 15/16	5 3/64	2.8110	1.0906	0.6299	5/8	16	8.4
HCFLU-211-35	2 3/16	55.56	8 1/2	7 1/4	11/16	1 57/64	13/16	1 7/32	2 15/16	5 3/64	2.8110	1.0906	0.6299	5/8	16	8.4
HCFLU-212-39	2 7/16	61.91	9 11/32	7 15/16	11/16	2 3/32	13/16	1 11/32	3 3/16	5 7/16	3.0630	1.2165	0.6299	5/8	16	10.6
HCFLU-215-47	2 15/16	74.61	10 13/16	8 55/64	13/16	2 29/64	15/16	1 39/64	3 49/64	6 15/32	3.6260	1.4685	0.6890	5/8	18	15.9
HCFLU-215-48	3	75.00	10 13/16	8 55/64	13/16	2 29/64	15/16	1 39/64	3 49/64	6 15/32	3.6260	1.4685	0.6890	5/8	18	15.9

## Mounted Units and Insert Bearing

### P.6

### RAM PILLOW BLOCK BEARINGS<sup>ECCENTRIC LOCK</sup>



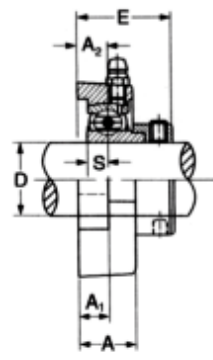
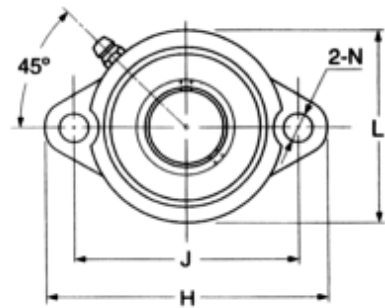
Ram No.	Shaft Dia.		Dimensions											Bolt Size		Wt. (lbs)
	D		H	H <sub>0</sub>	L	J	N <sub>1</sub>	A	H <sub>1</sub>	N	B	S	T	(in)	(mm)	
	(in)	(mm)														
HCPK-201-08	1/2	12.70	1 1/4	2 1/2	5	3 3/4	5/8	1 1/2	9/16	1/2	1.4688	0.5469	0.3750	3/8	10	1.4
HCPK-202-10	5/8	15.00	1 1/4	2 1/2	5	3 3/4	5/8	1 1/2	9/16	1/2	1.4688	0.5469	0.3750	3/8	10	1.3
HCPK-204-12	3/4	19.05	1 1/4	2 1/2	5	3 3/4	5/8	1 1/2	9/16	1/2	1.7126	0.6693	0.3740	3/8	10	1.6
HCPK-205-14	7/8	22.22	1 5/16	2 3/4	5 1/2	4 1/8	3/4	1 1/2	9/16	1/2	1.7441	0.6850	0.3741	3/8	10	1.8
HCPK-205-16	1	25.40	1 5/16	2 3/4	5 1/2	4 1/8	3/4	1 1/2	9/16	1/2	1.7441	0.6850	0.3740	3/8	10	1.8
HCPK-206-18	1 1/8	28.57	1 9/16	3 1/4	6 5/16	4 3/4	3/4	1 3/4	5/8	9/16	1.9016	0.7165	0.4685	1/2	12	3.0
HCPK-206-19	1 3/16	30.16	1 9/16	3 1/4	6 5/16	4 3/4	3/4	1 3/4	5/8	9/16	1.9016	0.7165	0.4685	1/2	12	3.0
HCPK-206-20	1 1/4	31.75	1 9/16	3 1/4	6 5/16	4 3/4	3/4	1 3/4	5/8	9/16	1.9016	0.7165	0.4685	1/2	12	3.0
HCPK-207-20	1 1/4	31.75	1 13/16	3 5/8	6 9/16	5	3/4	1 7/8	11/16	9/16	2.0118	0.7402	0.5315	1/2	12	3.7
HCPK-207-22	1 3/8	34.92	1 13/16	3 5/8	6 9/16	5	3/4	1 7/8	11/16	9/16	2.0118	0.7402	0.5315	1/2	12	3.7
HCPK-207-23	1 7/16	36.51	1 13/16	3 5/8	6 9/16	5	3/4	1 7/8	11/16	9/16	2.0118	0.7402	0.5315	1/2	12	3.7
HCPK-208-24	1 1/2	38.10	1 15/16	3 27/32	7 3/32	5 11/32	13/16	2 1/8	11/16	9/16	2.2165	0.8425	0.5315	1/2	12	4.4
HCPK-209-27	1 11/16	42.86	2 1/16	4 1/8	7 7/16	5 3/4	13/16	2 1/8	13/16	9/16	2.2165	0.8425	0.5315	1/2	12	5.3
HCPK-209-28	1 3/4	44.45	2 1/16	4 1/8	7 7/16	5 3/4	13/16	2 1/8	13/16	9/16	2.2165	0.8425	0.5315	1/2	12	5.3
HCPK-210-31	1 15/16	49.21	2 3/16	4 7/16	8 1/32	6 1/4	7/8	2 3/8	13/16	3/4	2.4685	0.9685	0.5315	5/8	16	6.0
HCPK-210-32	2	50.80	2 3/16	4 7/16	8 1/32	6 1/4	7/8	2 3/8	13/16	3/4	2.4685	0.9685	0.5315	5/8	16	6.0
HCPK-211-32	2	50.80	2 7/16	4 29/32	8 5/8	6 25/32	7/8	2 3/8	7/8	3/4	2.8110	1.0906	0.6299	5/8	16	7.8
HCPK-211-35	2 3/16	55.56	2 7/16	4 29/32	8 5/8	6 25/32	7/8	2 3/8	7/8	3/4	2.8110	1.0906	0.6299	5/8	16	7.8
HCPK-212-39	2 7/16	61.91	2 11/16	5 3/8	9 3/8	7 5/16	1	2 9/16	15/16	3/4	3.0630	1.2165	0.6299	5/8	16	11.5
HCPK-215-47	2 15/16	74.61	3 5/16	6 3/8	10 13/16	8 17/32	1 5/32	2 29/32	1 1/8	1	3.6260	1.4685	0.6890	3/4	20	17.2
HCPK-215-48	3	75.00	3 5/16	6 3/8	10 13/16	8 17/32	1 5/32	2 29/32	1 1/8	1	3.6260	1.4685	0.6890	3/4	20	17.2



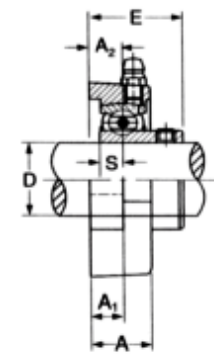
## Mounted Units and Insert Bearing

### P.7

### RAM LIGHT DUTY BEARINGS



(SBLF)



(SALF)

Ram No.	Shaft Dia.		Dimensions									Bolt Size		Wt. (lbs)
	D		H	J	L	A <sub>1</sub>	A	A <sub>2</sub>	N	S	E	(in)	(mm)	
	(in)	(mm)												
SBLE 201-08G	1/2	12.70	3 3/16	2 1/2	2 7/32	3/8	11/16	3/8	5/16	0.236	1	1/4	6	0.6
SBLE 202-10G	5/8	15.00	3 3/16	2 1/2	2 7/32	3/8	11/16	3/8	5/16	0.236	1	1/4	6	0.6
SBLE 204-12G	3/4	19.05	3 9/16	2 13/16	2 13/32	7/16	13/16	7/16	7/16	0.275	1 5/32	5/16	8	0.7
SBLE 205-16G	1	25.40	3 3/4	3	2 1/2	7/16	13/16	7/16	7/16	0.295	1 7/32	5/16	8	0.8
SBLE 206-18G	1 1/8	28.57	4 7/16	3 9/16	3	1/2	7/8	1/2	1/2	0.315	1 11/32	3/8	10	1.2
SBLE 206-19G	1 3/16	30.16	4 7/16	3 9/16	3	1/2	7/8	1/2	1/2	0.315	1 11/32	3/8	10	1.2
SBLE 206-20G	1 1/4	31.75	4 7/16	3 9/16	3	1/2	7/8	1/2	1/2	0.315	1 11/32	3/8	10	1.2
SBLE 207-20G	1 1/4	31.75	4 13/16	3 15/16	3 1/2	1/2	15/16	1/2	1/2	0.354	1 7/16	3/8	10	1.8
SBLE 207-22G	1 3/8	34.92	4 13/16	3 15/16	3 1/2	1/2	15/16	1/2	1/2	0.354	1 7/16	3/8	10	1.8
SBLE 207-23G	1 7/16	36.51	4 13/16	3 15/16	3 1/2	1/2	15/16	1/2	1/2	0.354	1 7/16	3/8	10	1.8

Ram No.	Shaft Dia.		Dimensions									Bolt Size		Wt. (lbs)
	D		H	J	L	A <sub>1</sub>	A	A <sub>2</sub>	N	S	E	(in)	(mm)	
	(in)	(mm)												
SALE 201-08G	1/2	12.70	3 3/16	2 1/2	2 7/32	3/8	11/16	3/8	5/16	0.255	1 1/4	1/4	6	0.6
SALE 202-10G	5/8	15.00	3 3/16	2 1/2	2 7/32	3/8	11/16	3/8	5/16	0.255	1 1/4	1/4	6	0.6
SALE 204-12G	3/4	19.05	3 9/16	2 13/16	2 13/32	7/16	13/16	7/16	7/16	0.275	1 5/16	5/16	8	0.7
SALE 205-16G	1	25.40	3 3/4	3	2 1/2	7/16	13/16	7/16	7/16	0.295	1 7/32	5/16	8	0.9
SALE 206-18G	1 1/8	28.57	4 7/16	3 9/16	3	1/2	7/8	1/2	1/2	0.315	1 11/32	3/8	10	1.3
SALE 206-19G	1 3/16	30.16	4 7/16	3 9/16	3	1/2	7/8	1/2	1/2	0.315	1 1/2	3/8	10	1.3
SALE 206-20G	1 1/4	31.75	4 7/16	3 9/16	3	1/2	7/8	1/2	1/2	0.315	1 1/2	3/8	10	1.3
SALE 207-20G	1 1/4	31.75	4 13/16	3 15/16	3 1/2	1/2	15/16	1/2	1/2	0.354	1 5/8	3/8	10	1.9
SALE 207-22G	1 3/8	34.92	4 13/16	3 15/16	3 1/2	1/2	15/16	1/2	1/2	0.354	1 5/8	3/8	10	1.9
SALE 207-23G	1 7/16	36.51	4 13/16	3 15/16	3 1/2	1/2	15/16	1/2	1/2	0.354	1 5/8	3/8	10	1.9