



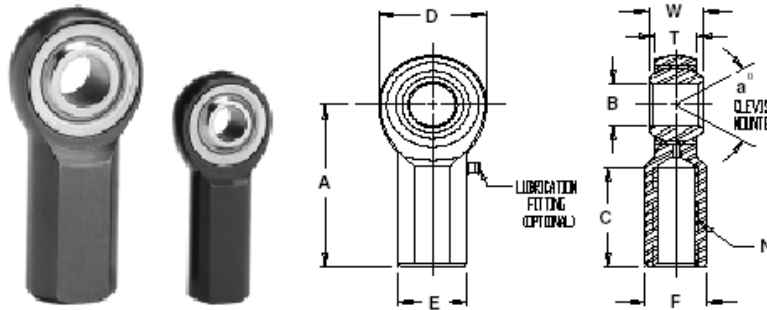
## Row Ends

- ALJF / ALJFL
- ALJM / ALJML
- CM / CF P.1
- CM / CF P.2
- CM / CF P.3
- CM / CF P.4
- COM / COMH
- JF / JFL
- JFX / JFXL
- JM / JML
- JMX / JMXL
- RSM / RSM-T
- RSM / RSM-T 2

## Row Ends

### ALJF / ALJFL

3-PIECE, ALUMINUM SERIES / PTFE LINERS AVAILABLE

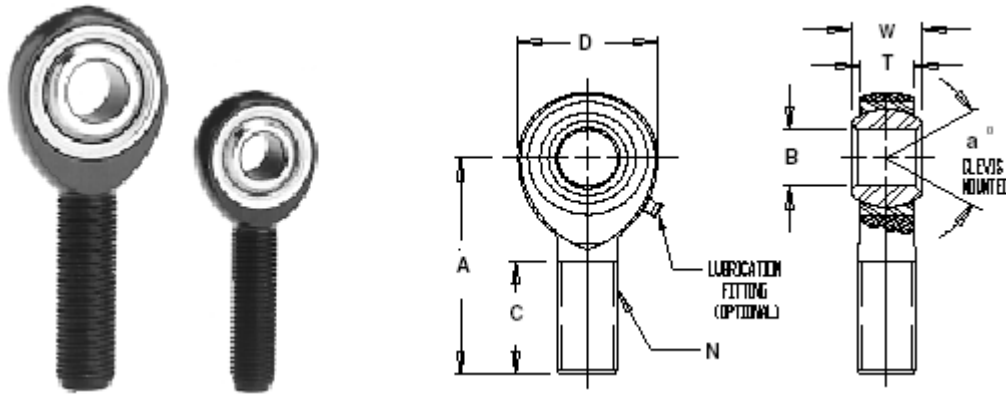


FEMALE ROD ENDS		B DIA.	D DIA.	W WIDTH	T WIDTH	BALL DIA.	A LGTH	N THD.	C LGTH	E DIA.	F FLAT	<sup>a</sup> MIS. ANGLE	ULT. STATIC RADIAL LOAD (lbs)	APPROX. WEIGHT (lbs)
RIGHT HAND PART NO.	LEFT HAND PART NO.	+.0015 -.0005	+.010 -.010	+.000 -.005	+.000 -.005	REF.	+.015 -.015	UNF 2B	+.062 -.031	+.010 -.010	+.010 -.010	REF.		
ALJF3	ALJFL3	.1900	.625	.312	.250	.437	1.062	10-32	.500	.406	.312	13	1,360	.022
ALJF4	ALJFL4	.2500	.750	.375	.281	.500	1.312	1/4-28	.687	.469	.375	16	2,592	.034
ALJF5	ALJFL5	.3125	.875	.437	.344	.625	1.375	5/16-24	.687	.500	.437	14	2,890	.050
ALJF6	ALJFL6	.3750	1.000	.500	.406	.719	1.625	3/8-24	.812	.687	.562	12	3,952	.088
ALJF8	ALJFL8	.50000	1.312	.625	.500	.937	2.125	1/2-20	1.062	.875	.750	12	7,006	.186

## Row Ends

### ALJM / ALJML

3-PIECE, MALE ALUMINUM SERIES / PTFE LINERS AVAILABLE

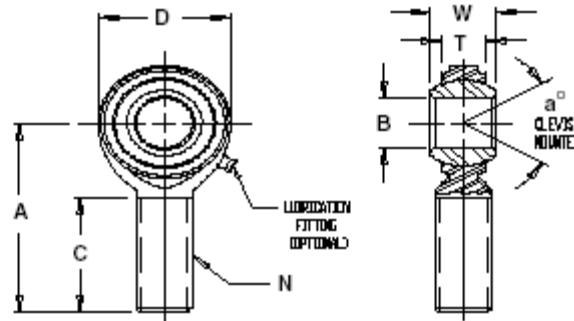


MALE ROD ENDS		B DIA.	D DIA.	W WIDTH	T WIDTH	BALL DIA.	A LGTH	N THD.	C LGTH	a MIS. ANGLE	ULT. STATIC RADIAL LOAD (lbs)	APPROX. WEIGHT (lbs)
RIGHT HAND PART NO.	LEFT HAND PART NO.	+0.0015 -0.0005	+0.010 -0.010	+0.000 -0.005	+0.000 -0.005	REF.	+0.015 -0.015	UNF 3A	+0.062 -0.031	REF.		
ALJM3	ALJML3	.1900	.625	.312	.250	.437	1.250	10-32	.750	13	1,360	.022
ALJM4	ALJML4	.2500	.750	.375	.281	.500	1.562	1/4-28	1.000	16	2,465	.034
ALJM5	ALJML5	.3125	.875	.437	.344	.625	1.875	5/16-24	1.250	14	2,850	.050
ALJM6	ALJML6	.3750	1.000	.500	.406	.719	1.938	3/8-24	1.250	12	4,208	.078
ALJM7	ALJML7	.4375	1.125	.562	.437	.812	2.125	7/16-20	1.375	14	4,534	.091
ALJM8	ALJML8	.5000	1.312	.625	.500	.937	2.438	1/2-20	1.500	12	7,698	.140
ALJM8H	ALJML8H	.5000	1.312	.625	.500	.937	2.625	1/2-20	1.562	12	10,150	.140
ALJM10	ALJML10	.6250	1.500	.750	.562	1.125	2.625	5/8-18	1.625	16	8,516	.240
ALJM10H	ALJML10H	.6250	1.750	.750	.562	1.125	2.625	5/8-18	1.625	16	16,200	.268
ALJM12	ALJML12	.7500	1.750	.875	.687	1.312	2.875	3/4-16	1.750	14	13,319	.300
ALJM12H	ALJML12H	.7500	2.000	.875	.687	1.312	3.000	3/4-16	1.750	14	23,390	.300

## Row Ends

CM / CF (P.1)

2-PIECE METAL TO METAL



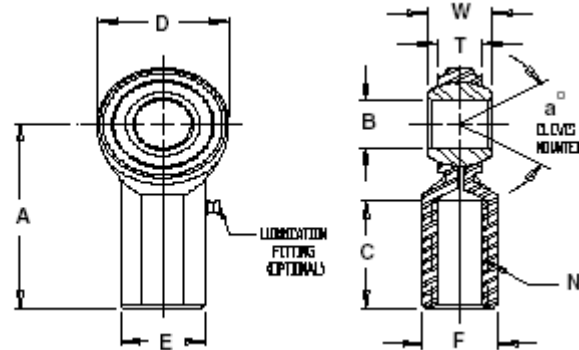
MALE ROD ENDS		B DIA.	D DIA.	W WIDTH	T WIDTH	BALL DIA.	A LGTH	N THD.	C LGTH	a MIS. ANGLE	ULT. STATIC RADIAL LOAD (lbs)	APPROX. WEIGHT (lbs)
RIGHT HAND PART NO.	LEFT HAND PART NO.	+0.0025 -0.0005	+0.010 -0.010	+0.005 -0.005	REF.	REF.	+0.015 -0.015	UNF 3A	+0.062 -0.031	REF.		
CM3*	CML3*	.1900	.625	.312	.234	.437	1.250	10-32	.750	17	1,210	.03
CM4*	CML4*	.2500	.750	.375	.250	.500	1.562	1/4-28	1.000	21	2,225	.04
CM5*	CML5*	.3125	.875	.437	.312	.625	1.875	5/16-24	1.250	17	3,600	.07
CM6	CML6	.3750	1.000	.500	.359	.719	1.938	3/8-24	1.250	19	5,100	.11
CM7	CML7	.4375	1.125	.562	.406	.812	2.125	7/16-20	1.375	18	6,402	.15
CM8	CML8	.5000	1.312	.625	.453	.937	2.438	1/2-20	1.500	17	8,386	.24
CM10	CML10	.6250	1.500	.750	.484	1.125	2.625	5/8-18	1.625	22	9,813	.36
CM12	CML12	.7500	1.750	.875	.593	1.312	2.875	3/4-16	1.750	18	14,290	.57

\*Grease fittings are not supplied on these sizes. Male Rod End load ratings based on no lubricating fitting. For load ratings with lubricator, please contact the F.K. Engineering Department.

## Row Ends

CM / CF (P.2)

2-PIECE METAL TO METAL

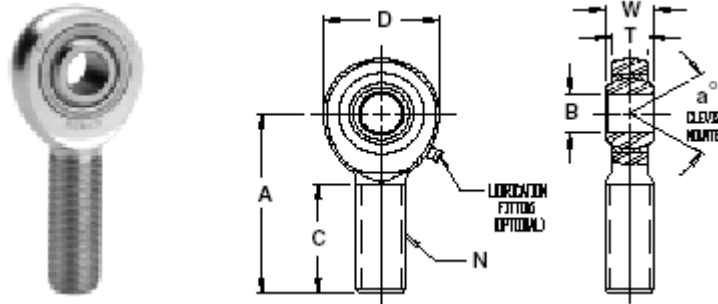


FEMALE ROD ENDS		B DIA.	D DIA.	W WIDTH	T WIDTH	BALL DIA.	A LGTH	N THD.	C LGTH	E DIA.	F FLAT	<sup>a</sup> MIS. ANGLE	ULT. STATIC RADIAL LOAD (lbs)	APPROX. WEIGHT (lbs)
RIGHT HAND PART NO.	LEFT HAND PART NO.	+ .0025 - .0005	+ .010 - .010	+ .005 - .005	REF.	REF.	+ .015 - .015	UNF 2B	+ .062 - .031	+ .010 - .010	+ .010 - .010	REF.		
CF3*	CFL3*	.1900	.625	.312	.234	.437	1.062	10-32	.500	.406	.312	17	1,210	.03
CF4	CFL4	.2500	.750	.375	.250	.500	1.312	1/4-28	.687	.468	.375	21	2,225	.04
CF5	CFL5	.3125	.875	.437	.312	.625	1.375	5/16-24	.687	.500	.437	17	3,600	.07
CF6	CFL6	.3750	1.000	.500	.359	.719	1.625	3/8-24	.812	.687	.562	19	5,100	.11
CF7	CFL7	.4375	1.125	.562	.406	.812	1.812	7/16-20	.937	.750	.625	18	6,402	.15
CF8	CFL8	.5000	1.312	.625	.453	.937	2.125	1/2-20	1.062	.875	.750	17	8,386	.24
CF10	CFL10	.6250	1.500	.750	.484	1.125	2.500	5/8-18	1.375	1.000	.875	22	9,813	.36
CF12	CFL12	.7500	1.750	.875	.593	1.312	2.875	3/4-16	1.562	1.125	1.000	18	14,290	.57

## Row Ends

CM / CF (P.3)

3-PIECE, HIGH STRENGTH - HEAVY DUTY SHANK / PTFE LINERS AVAILABLE

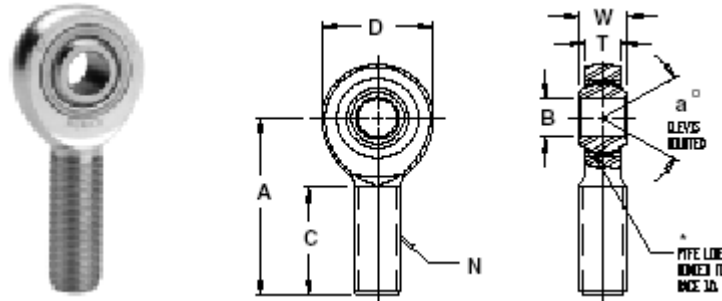


MALE ROD ENDS		B DIA.	D DIA.	W WIDTH	T WIDTH	BALL DIA.	A LGTH	N THD.	C LGTH	<sup>a</sup> MIS. ANGLE	ULT. STATIC RADIAL LOAD (lbs)	APPROX. WEIGHT (lbs)
RIGHT HAND PART NO.	LEFT HAND PART NO.	+0.0015 -0.0005	+0.010 -0.010	+0.005 -0.005	+0.005 -0.005	REF.	+0.015 -0.015	UNF 3A	+0.062 -0.031	REF.		
RSM3T	RSML3T	.1900	.750	.312	.250	.437	1.562	1/4-28	1.000	10	2,170	.043
RSM4T	RSML4T	.2500	.875	.375	.281	.500	1.875	5/16-24	1.250	13	3,523	.072
RSM5T	RSML5T	.3125	1.000	.437	.344	.625	1.938	3/8-24	1.250	12	5,370	.112
RSM6T	RSML6T	.3750	1.125	.500	.406	.719	2.125	7/16-20	1.375	10	7,230	.160
RSM7T	RSML7T	.4375	1.312	.562	.437	.812	2.438	1/2-20	1.500	12	9,685	.249
RSM8T	RSML8T	.5000	1.500	.625	.500	.937	2.625	5/8-18	1.625	10	12,843	.382
RSM10T	RSML10T	.6250	1.750	.750	.562	1.125	2.875	3/4-16	1.750	13	16,613	.602

## Row Ends

CM / CF (P.4)

3-PIECE, HIGH STRENGTH - HEAVY DUTY SHANK / PTFE LINERS AVAILABLE



MALE ROD ENDS		B DIA.	D DIA.	W WIDTH	T WIDTH	BALL DIA.	A LGTH	N THD.	C LGTH	<sup>a</sup> MIS. ANGLE	ULT. STATIC RADIAL LOAD (lbs)	APPROX. WEIGHT (lbs)
RIGHT HAND PART NO.	LEFT HAND PART NO.	+0.0015 -0.0005	+0.010 -0.010	+0.005 -0.005	+0.005 -0.005	REF.	+0.015 -0.015	UNF 3A	+0.062 -0.031	REF.		
RSMX3T	RSMXL3T	.1900	.750	.312	.250	.437	1.562	1/4-28	1.000	10	5,270	.043
RSMX4T	RSMX4LT	.2500	.875	.375	.281	.500	1.875	5/16-24	1.250	13	8,471	.072
RSMX5T	RSMX5LT	.3125	1.000	.437	.344	.625	1.938	3/8-24	1.250	12	13,012	.112
RSMX6T	RSMX6LT	.3750	1.125	.500	.406	.719	2.125	7/16-20	1.375	10	17,610	.160
RSMX7T	RSMX7LT	.4375	1.312	.562	.437	.812	2.438	1/2-20	1.500	12	23,470	.249
RSMX8T	RSMX8LT	.5000	1.500	.625	.500	.937	2.625	5/8-18	1.625	10	31,420	.382
RSMX10-8T	RSMX10-8T	.6250	1.750	.750	.562	1.125	2.875	3/4-16	1.750	13	40,590	.602
RSMX10T	RSMX10T	.6250	1.750	.750	.562	1.125	2.875	3/4-16	1.750	13	40,590	.602
RSMX12T	RSMX12T	.7500	2.000	.875	.687	1.312	3.375	7/8-14	1.875	12	55,696	.918
RSMX14T**	RSMX14T**	.875	2.312	.875	.765	1.375	3.800	1-14	2.375	12	63,096	1.302

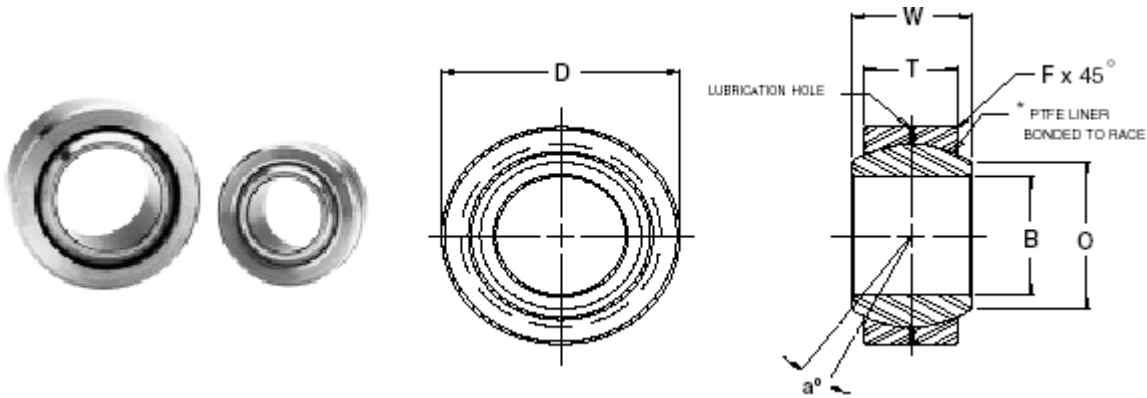
MALE ROD ENDS LOAD RATINGS BASED ON NO LUBRICATION FITTING. FOR LOAD RATINGS OF ROD ENDS WITH LUBRICATOR, PLEASE CONTACT THE F.K. ENGINEERING DEPARTMENT.

\*A trade mark of E.I. Dupont de Nemours & Co., Inc.

## Row Ends

COM / COMH

COMMERCIAL SERIES / PTFE LINERS AVAILABLE



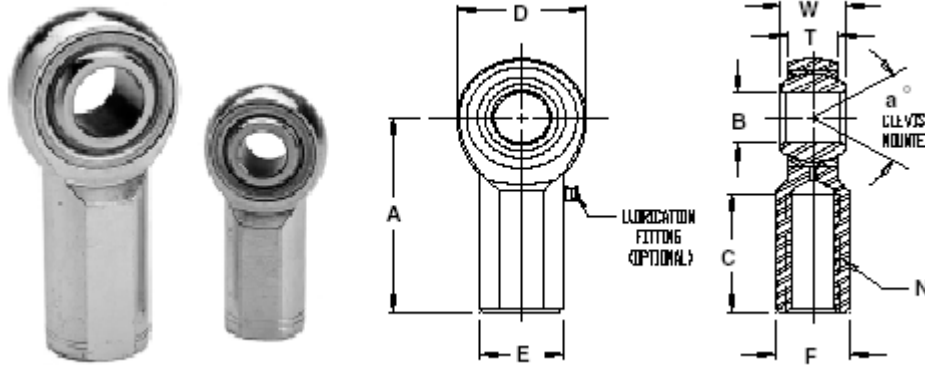
BEARING PART NO.	B DIA.	D DIA.	W WIDTH	T WIDTH	O DIA.	BALL DIA.	F CHAMBER	<sup>a</sup> MIS. ANGLE	ULT. STATIC RADIAL LOAD (lbs)	APPROX. WEIGHT (lbs)
	+ .010 - .010	+ .0000 - .0007	+ .005 - .005	+ .005 - .005	REF.	REF.	REF.	REF.		
COM3	.1900	.5625	.281	.218	.293	.406	.015	11	3,250	.014
COM4	.2500	.6562	.343	.250	.364	.500	.022	13.5	4,950	.022
COM5	.3125	.7500	.375	.281	.419	.562	.032	12	6,475	.030
COM6	.3750	.8125	.406	.312	.516	.656	.032	10	8,400	.038
COM7	.4375	.9062	.437	.343	.530	.687	.032	8	9,453	.047
COM8	.5000	1.0000	.500	.390	.600	.781	.032	9.5	13,250	.065
COM8-101	.5000	1.0000	1.000	.390	.600	.781	.032	9.5	13,250	.065
COM9	.5625	1.0937	.562	.437	.671	.875	.032	9.5	16,630	.086
COM10	.6250	1.1875	.625	.500	.739	.968	.032	8.5	21,280	.110
COM12	.7500	1.4375	.750	.593	.920	1.187	.044	9	31,920	.204
COM12T-3R***	.7500	1.4375	.750	.593	.920	1.187	.044	9	31,920	.204
COM14	.8750	1.5625	.875	.703	.980	1.312	.044	9.5	41,960	.263
COM16	1.000	1.7500	1.000	.797	1.118	1.500	.044	10	55,200	.386
COMH16****	1.000	2.0000	1.000	.781	1.360	1.687	.032	9	70,820	.553
COMH19****	1.1875	2.3750	1.187	.937	1.610	2.000	.032	8.5	100,730	.895
COMH20****	1.2500	2.3750	1.187	.937	1.610	2.000	.032	8.5	100,730	.895
COMH24****	1.5000	2.7500	1.375	1.094	1.860	2.312	.032	8.5	135,950	1.358
COMH28****	1.7500	3.1250	1.562	1.250	2.110	2.625	.044	8	176,370	1.948
COMH32****	2.0000	3.5000	1.750	1.375	2.360	2.937	.044	8.5	217,060	2.650



## Row Ends

JF / JFL

3-PIECE, PRECISION-WEAR RESISTANT / PTFE LINERS AVAILABLE



FEMALE ROD ENDS		B DIA.	D DIA.	W WIDTH	T WIDTH	BALL DIA.	A LGTH	N THD.	C LGTH	E DIA.	F FLAT	<sup>a</sup> MIS. ANGLE	ULT. STATIC RADIAL LOAD (lbs)	APPROX. WEIGHT (lbs)
RIGHT HAND PART NO.	LEFT HAND PART NO.	+0.0015 -0.0005	+0.010 -0.010	+0.000 -0.005	+0.015 -0.015	REF.	+0.015 -0.015	UNF 2B	+0.062 -0.031	+0.010 -0.010	+0.010 -0.010	REF.		
JF2*	JFL2*	.1250	.500	.250	.187	.312	.812	6-32 UNC	.437	.312	.250	16	1,210	.019
JF3	JFL3	.1900	.625	.312	.250	.437	1.062	10-32	.500	.406	.312	13	1,624	.04
JF4	JFL4	.2500	.750	.375	.281	.500	1.312	1/4-28	.687	.469	.375	16	2,545	.06
JF5	JFL5	.3125	.875	.437	.344	.625	1.375	5/16-24	.687	.500	.437	14	3,200	.09
JF6	JFL6	.3750	1.000	.500	.406	.719	1.625	3/8-24	.812	.687	.562	12	3,950	.15
JF7	JFL7	.4375	1.125	.562	.437	.812	1.812	7/16-20	.937	.750	.625	14	4,300	.20
JF8	JFL8	.5000	1.312	.625	.500	.937	2.125	1/2-20	1.062	.875	.750	12	6,700	.33
JF10	JFL10	.6250	1.500	.750	.562	1.125	2.500	5/8-18	1.375	1.000	.875	16	7,400	.48
JF12	JFL12	.7500	1.750	.875	.687	1.312	2.875	3/4-16	1.562	1.125	1.000	14	11,550	.72
JF16***	JFL16***	1.000	2.750	1.375	1.000	1.875	4.125	1-1/4-12	2.125	1.625	1.500	17	43,555	2.125
JF16-1**	JFL16-1**	1.000	2.750	1.375	1.000	1.875	4.125	1-14	2.125	1.625	1.500	17	43,555	2.410
JF16-2**	JFL16-2**	1.000	2.750	1.375	1.000	1.875	4.125	1-12	2.125	1.625	1.500	17	43,555	2.410

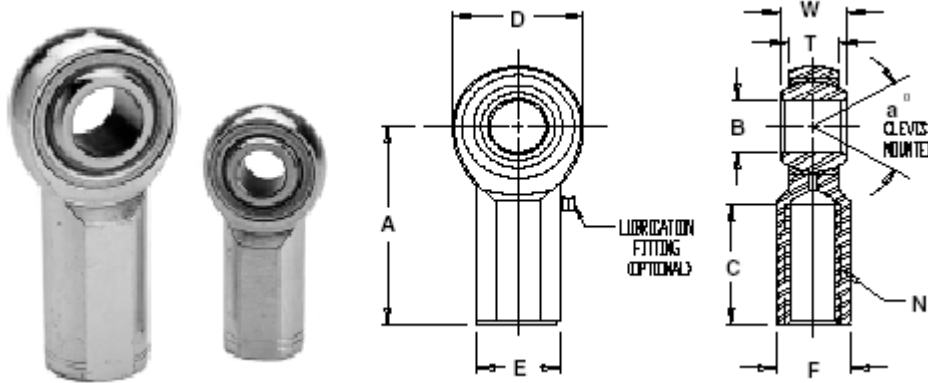
\*GREASE FITTINGS & PTFE LINERS NOT AVAILABLE.

\*\*TOLERANCE VARIATIONS: "D", "A" ARE +/- .020

## Row Ends

### JFX/JFXL

3-PIECE, PRECISION - HIGH STRENGTH ALLOY / PTFE LINERS AVAILABLE



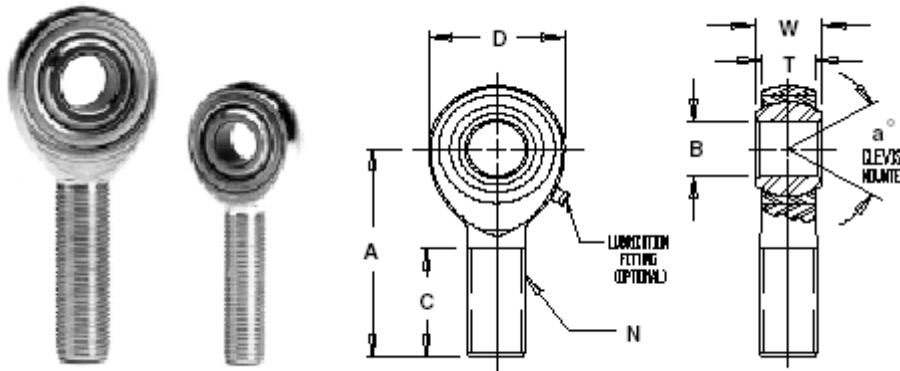
FEMALE ROD ENDS		B DIA.	D DIA.	W WIDT H	T WIDT H	BALL DIA.	A LGTH	N THD.	C LGTH	E DIA.	F FLAT	<sup>a</sup> MIS. ANGLE	ULT. STATIC RADIAL LOAD (lbs)	APPROX WEIGHT (lbs)
RIGHT HAND PART NO.	LEFT HAND PART NO.	+ .0015 - .0005	+ .01 0 - .010	+ .00 0 - .005	+ .01 5 - .015	REF.	+ .01 5 - .015	UNF 2B	+ .06 2 - .031	+ .01 0 - .010	+ .01 0 - .010	REF.		
JFX3	JFXL3	.1900	.625	.312	.250	.437	1.062	10-32	.500	.406	.312	13	3,736	.04
JFX4	JFXL4	.2500	.750	.375	.281	.500	1.312	1/4-28	.687	.469	.375	16	6,195	.06
JFX5	JFXL5	.3125	.875	.437	.344	.625	1.375	5/16-24	.687	.500	.437	14	7,640	.09
JFX6	JFXL6	.3750	1.000	.500	.406	.719	1.625	3/8-24	.812	.687	.562	12	9,550	.15
JFX7	JFXL7	.4375	1.125	.562	.437	.812	1.812	7/16-20	.937	.750	.625	14	10,290	.20
JFX8	JFXL8	.5000	1.312	.625	.500	.937	2.125	1/2-20	1.062	.875	.750	12	15,340	.33
JFX10	JFXL10	.6250	1.500	.750	.562	1.125	2.500	5/8-18	1.375	1.000	.875	16	17,959	.48
JFX12	JFXL12	.7500	1.750	.875	.687	1.312	2.875	3/4-16	1.562	1.125	1.000	14	28,090	.72
JFX16**	JFXL16***	1.000	2.750	1.375	1.000	1.875	4.125	1-1/4-12	2.125	1.625	1.500	17	76,205	2.125
JFX16-1**	JFXL16-1**	1.000	2.750	1.375	1.000	1.875	4.125	1-14	2.125	1.625	1.500	17	76,205	2.125

\*\*TOLERANCE VARIATION: "D", "A" ARE +/- .020

## Row Ends

JM / JML

3 - PIECE, PRECISION-WEAR RESISTANT/ PTFE LINERS AVAILABLE



MALE ROD ENDS		B DIA.	D DIA.	W WIDTH	T WIDTH	BALL DIA.	A LGTH	N THD.	C LGTH	<sup>a</sup> MIS. ANGLE	ULT. STATIC RADIAL LOAD (lbs)	APPROX. WEIGHT (lbs)
RIGHT HAND PART NO.	LEFT HAND PART NO.	+ .0015 - .0005	+ .010 - .010	+ .000 - .005	+ .015 - .015	REF.	+ .015 - .015	UNF 3A	+ .062 - .031	REF.		
JM2*	JML2*	.1250	.500	.250	.187	.312	.937	6-32 UNC	.562	16	500	.013
JM3	JML3	.1900	.625	.312	.250	.437	1.250	10-32	.750	13	1,174	.03
JM4	JML4	.2500	.750	.375	.281	.500	1.562	1/4-28	1.000	16	2,168	.04
JM5	JML5	.3125	.875	.437	.344	.625	1.875	5/16-24	1.250	14	2,796	.07
JM6	JML6	.3750	1.000	.500	.406	.719	1.938	3/8-24	1.250	12	4,012	.11
JM7	JML7	.4375	1.125	.562	.437	.812	2.125	7/16-20	1.375	14	4,244	.16
JM8	JML8	.5000	1.312	.625	.500	.937	2.438	1/2-20	1.500	12	6,700	.25
JM10	JML10	.6250	1.500	.750	.562	1.125	2.625	5/8-18	1.625	16	7,400	.38
JM12	JML12	.7500	1.750	.875	.687	1.312	2.875	3/4-16	1.750	14	11,550	.60
JM16**	JML16**	1.000	2.750	1.375	1.000	1.875	4.125	1-1/4-12	2.125	17	43,555	2.406
JM16-1**	JML16-1**	1.000	2.750	1.375	1.000	1.875	4.125	1-14	2.125	17	43,555	2.127
JM16-2**	JML16-2**	1.000	2.750	1.375	1.000	1.875	4.125	1-12	2.125	17	43,555	2.127

MALE ROD END LOAD RATINGS BASED ON NO LUBRICATION FITTING. FOR LOAD RATINGS OF ROD ENDS WITH LUBRICATOR, LEASE CONTACT THE F.K. ENGINEERING DEPARTMENT.

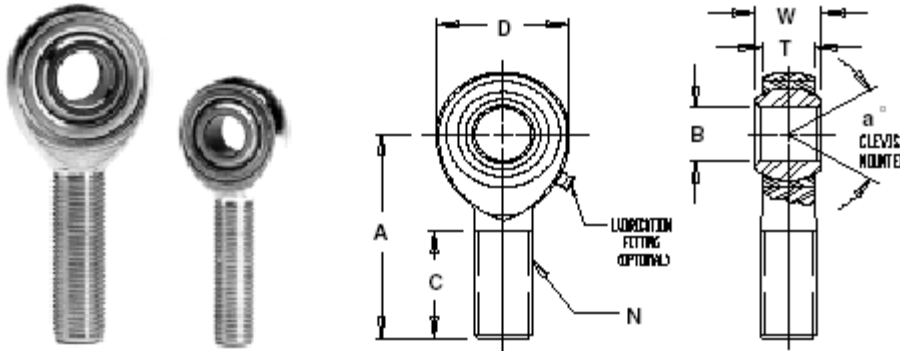
\*GREASE FITTINGS & PTFE LINERS NOT AVAILABLE.

\*\*TOLERANCE VARIATIONS: "D", "A" ARE +/- .020

## Row Ends

JMX / JMXL

3-PIECE, PRECISION - HIGH STRENGTH ALLOY / PTFE LINERS AVAILABLE



MALE ROD ENDS		B DIA.	D DIA.	W WIDTH	T WIDTH	BALL DIA.	A LGTH	N THD.	C LGTH	<sup>a</sup> MIS. ANGLE	ULT. STATIC RADIAL LOAD (lbs)	APPROX. WEIGHT (lbs)
RIGHT HAND PART NO.	LEFT HAND PART NO.	+ .0015 - .0005	+ .010 - .010	+ .000 - .005	+ .005 - .005	REF.	+ .015 - .015	UNF 3A	+ .062 - .031	REF.		
JMX3	JMXL3	.1900	.625	.312	.250	.437	1.250	10-32	.750	13	2,855	.03
JMX4	JMXL4	.2500	.750	.375	.281	.500	1.562	1/4-28	1.000	16	5,262	.04
JMX5	JMXL5	.3125	.875	.437	.344	.625	1.875	5/16-24	1.250	14	7,640	.07
JMX6	JMXL6	.3750	1.000	.500	.406	.719	1.938	3/8-24	1.250	12	9,550	.11
JMX7	JMXL7	.4375	1.125	.562	.437	.812	2.125	7/16-20	1.375	14	10,290	.16
JMX8	JMXL8	.5000	1.312	.625	.500	.937	2.438	1/2-20	1.500	12	16,242	.25
JMX10	JMXL10	.6250	1.500	.750	.562	1.125	2.625	5/8-18	1.625	16	17,959	.38
JMX12	JMXL12	.7500	1.750	.875	.687	1.312	2.875	3/4-16	1.750	14	28,090	.60
JMX14	JMXL14	.8750	2.000	.875	.687	1.312	3.375	7/8-14	1.875	12	55,690	.91
JMX14T-770	JMXL14T-770	.8750	2.000	.875	.770	1.375	3.375	7/8-14	1.875	12	45,051	.91
JMX16**	JMXL16**	1.000	2.750	1.375	1.000	1.875	4.125	1-14-12	2.125	17	107,182	2.736
JMX16-1**	JMXL16-1**	1.000	2.750	1.375	1.000	1.875	4.125	1-14	2.125	17	107,182	2.464

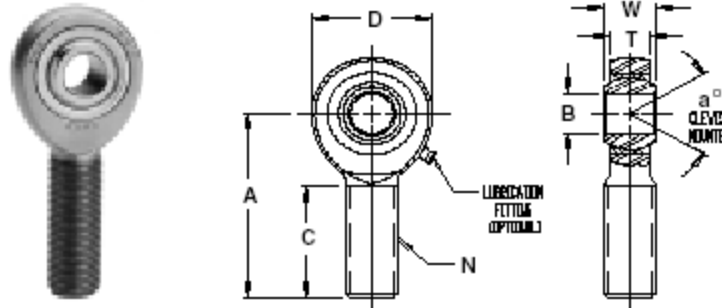
MALE ROD END LOAD RATINGS BASED ON NO LUBRICATING FITTING. FOR LOAD RATING OF ROD ENDS WITH LUBRICATOR, PLEASE CONTACT THE FK. ENGINEERING DEPARTMENT.

\*\*TOLERANCE VARIATIONS: "D", "A" ARE +/- .020

## Row Ends

RSM / RSM-T

3-PIECE, EXTRA STRENGTH - HEAVY DUTY SHANK / PTFE LINERS AVAILABLE

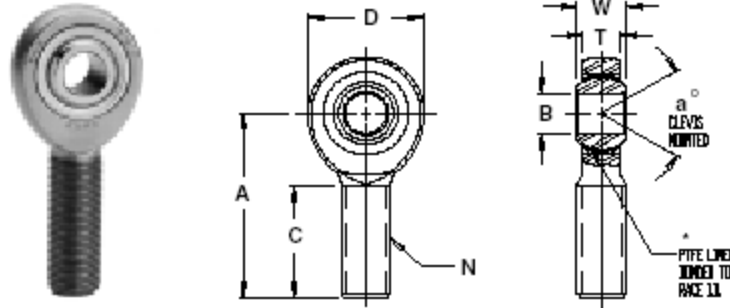


MALE ROD ENDS		B DIA.	D DIA.	W WIDTH	T WIDTH	BALL DIA.	A LGTH	N THD.	C LGTH	a MIS. ANGLE	ULT. STATIC RADIAL LOAD (lbs)	APPROX. WEIGHT (lbs)
RIGHT HAND PART NO.	LEFT HAND PART NO.	+0.0015 -0.0005	+0.010 -0.010	+0.000 -0.005	+0.005 -0.005	REF.	+0.015 -0.015	UNF 3A	+0.062 -0.031	REF.		
RSM3	RSML3	.1900	.750	.312	.250	.437	1.562	1/4-28	1.000	10	2,170	.043
RSM4	RSML4	.2500	.875	.375	.281	.500	1.875	5/16-24	1.250	13	3,523	.072
RSM5	RSML5	.3125	1.000	.437	.344	.625	1.938	3/8-24	1.250	12	5,370	.112
RSM6	RSML6	.3750	1.125	.500	.406	.719	2.125	7/16-20	1.375	10	7,230	.160
RSM7	RSML7	.4375	1.312	.562	.437	.812	2.438	1/2-20	1.500	12	9,685	.249
RSM8	RSML8	.5000	1.500	.625	.500	.937	2.625	5/8-18	1.625	10	12,843	.382
RSM10	RSML10	.6250	1.750	.750	.562	1.125	2.875	3/4-16	1.750	13	16,613	.602

## Row Ends

### RSM / RSM-T 2

3-PIECE, EXTRA STRENGTH - HEAVY DUTY SHANK / PTFE LINERS AVAILABLE



MALE ROD ENDS		B DIA.	D DIA.	W WIDTH	T WIDTH	BALL DIA.	A LGTH	N THD.	C LGTH	a MIS. ANGLE	ULT. STATIC RADIAL LOAD (lbs)	APPROX. WEIGHT (lbs)
RIGHT HAND PART NO.	LEFT HAND PART NO.	+0.0015 -0.0005	+0.010 -0.010	+0.005 -0.005	+0.005 -0.005	REF.	+0.015 -0.015	UNF 3A	+0.062 -0.031	REF.		
RSM3T	RSML3T	.1900	.750	.312	.250	.437	1.562	1/4-28	1.000	10	2,170	.043
RSM4T	RSML4T	.2500	.875	.375	.281	.500	1.875	5/16-24	1.250	13	3,523	.072
RSM5T	RSML5T	.3125	1.000	.437	.344	.625	1.938	3/8-24	1.250	12	5,370	.112
RSM6T	RSML6T	.3750	1.125	.500	.406	.719	2.125	7/16-20	1.375	10	7,230	.160
RSM7T	RSML7T	.4375	1.312	.562	.437	.812	2.438	1/2-20	1.500	12	9,685	.249
RSM8T	RSML8T	.5000	1.500	.625	.500	.937	2.625	5/8-18	1.625	10	12,843	.382
RSM10T	RSML10T	.6250	1.750	.750	.562	1.125	2.875	3/4-16	1.750	13	16,613	.602

MALE ROD ENDS LOAD RATINGS BASED ON NO LUBRICATION FITTING. FOR LOAD RATINGS OF ROD ENDS WITH LUBRICATOR, PLEASE CONTACT THE F.K. ENGINEERING DEPARTMENT.

\*A trade mark of E.I. Dupont de Nemours & Co., Inc