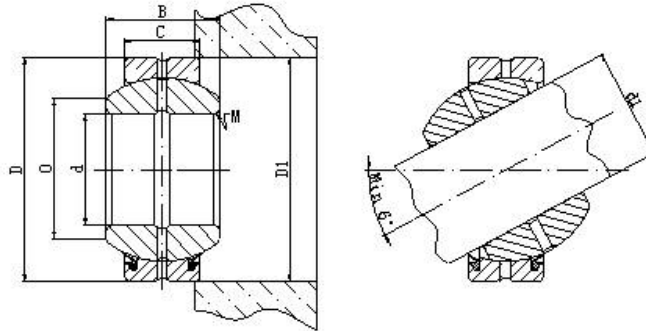




Spherical Plain Bearings

- Outer ring with single split in axial direction.
- Lubrication grooves and holes in the outer and inner rings of type ES.
- Outer ring of type(2RS) with two seals
- Both outer and inner rings are properly phosphorlylate-treated
- Outer and inner--52100Steel

Spherical Plain Bearings



Inch size bearings

(in)

Part Number	d	d1		D	D1		C	B	O	M	Load Ratings		Weight Ibs
		Recommended Shaft Dia			Recommended Housing Dia						Static Ibs	Thrust Ibs	
GEZ12ES	0.5	0.5	0.4996	0.875	0.8752	0.8744	0.375	0.437	0.551	0.032	9337	3156	0.044
GEZ15ES	0.625	0.625	0.6246	1.0625	1.0627	1.0619	0.469	0.547	0.703	0.4	14732	4864	0.077
GEZ19ES(2RS)	0.75	0.75	0.7495	1.25	1.2502	1.2494	0.562	0.656	0.844	0.4	20927	7089	0.121
GEZ22ES(2RS)	0.875	0.875	0.8745	1.4375	1.4377	1.4369	0.656	0.765	0.974	0.4	28573	9565	0.187
GEZ25ES(2RS)	1	1	0.9995	1.625	1.6252	1.6244	0.75	0.875	1.103	0.4	37359	12605	0.265
GEZ31ES(2RS)	1.25	1.25	1.2495	2	2.0002	1.9994	0.937	1.093	1.382	0.4	58507	19468	0.507
GEZ34ES(2RS)	1.375	1.375	1.3745	2.1875	2.1877	2.1869	1.031	1.187	1.516	0.4	69756	23404	0.772
GEZ38ES(2RS)	1.5	1.5	1.4995	2.4375	2.4377	2.4369	1.125	1.312	1.703	0.4	84379	28129	0.926
GEZ44ES(2RS)	1.75	1.75	1.7494	2.8125	2.8128	2.8118	1.312	1.531	1.984	0.4	114752	38255	1.41
GEZ50ES(2RS)	2	2	1.9993	3.1875	3.1878	3.1868	1.5	1.75	2.266	0.48	150754	50408	2.05
GEZ57ES(2RS)	2.25	2.25	2.2493	3.5625	3.5629	3.5617	1.687	1.969	2.554	0.48	191251	63002	2.87
GEZ63ES(2RS)	2.5	2.5	2.4993	3.9375	3.9379	3.9367	1.875	2.187	2.833	0.48	234007	77629	4.08
GEZ69ES(2RS)	2.75	2.75	2.7493	4.375	4.3754	4.3742	2.062	2.406	3.11	0.48	285752	95628	5.29
GEZ76ES(2RS)	3	3	2.9993	4.75	4.7504	4.7491	2.25	2.625	3.406	0.48	337506	112505	6.84
GEZ82ES(2RS)	3.25	3.25	3.2491	5.125	5.1254	5.1241	2.437	2.844	3.703	0.48	396009	131626	8.38
GEZ88ES(2RS)	3.5	3.5	3.4991	5.5	5.5004	5.4991	2.625	3.062	4	0.48	459001	153003	10.58
GEZ95ES(2RS)	3.75	3.75	3.7491	5.875	5.8754	5.8741	2.812	3.281	4.266	0.48	531004	175507	12.79
GEZ101ES(2RS)	4	4	3.9991	6.25	6.2504	6.2491	3	3.5	4.559	0.48	596256	202508	15.44
GEZ114ES(2RS)	4.5	4.5	4.4991	7	7.0004	6.9991	3.375	3.937	5.11	0.6	765002	252006	21.61
GEZ120ES(2RS)	4.75	4.75	4.7491	7.375	7.3754	7.3741	3.562	4.156	5.386	0.6	843754	281254	25.36
GEZ127ES(2RS)	5	5	4.999	7.75	7.7505	7.749	3.75	4.375	5.703	0.6	933755	315009	29.76
GEZ152ES(2RS)	6	6	5.999	8.75	8.7505	8.749	4.125	4.75	6.594	0.6	1170002	389257	38.59